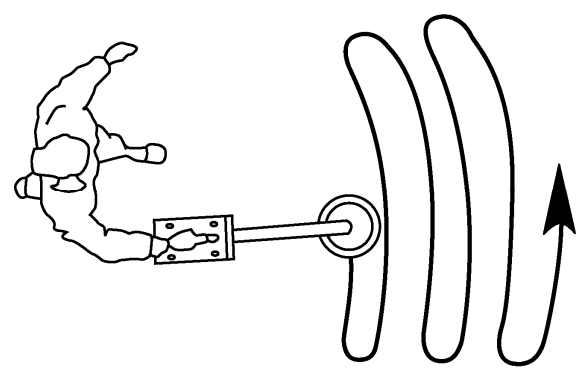
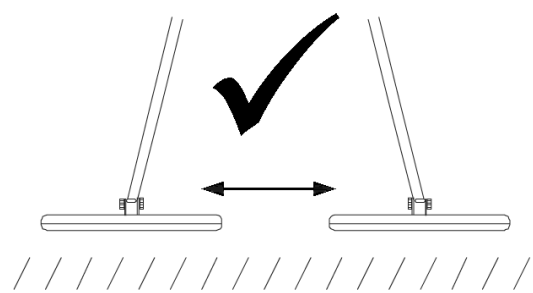
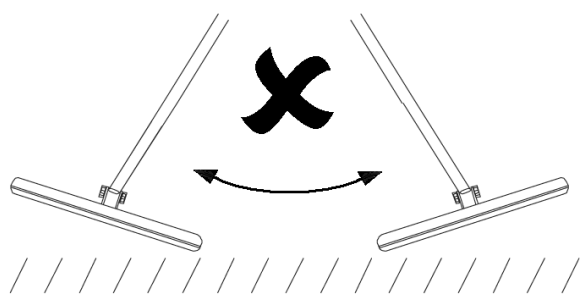
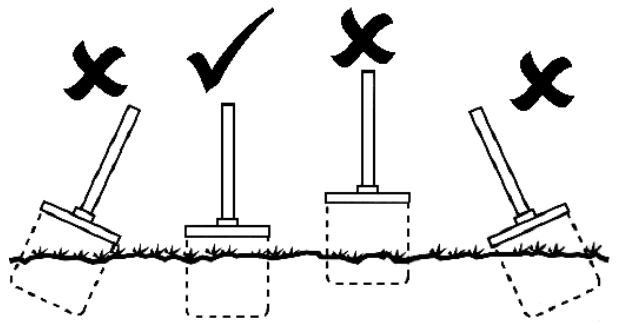
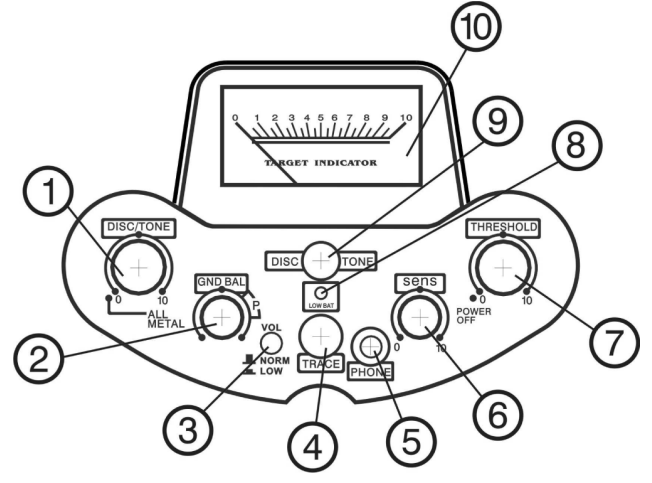
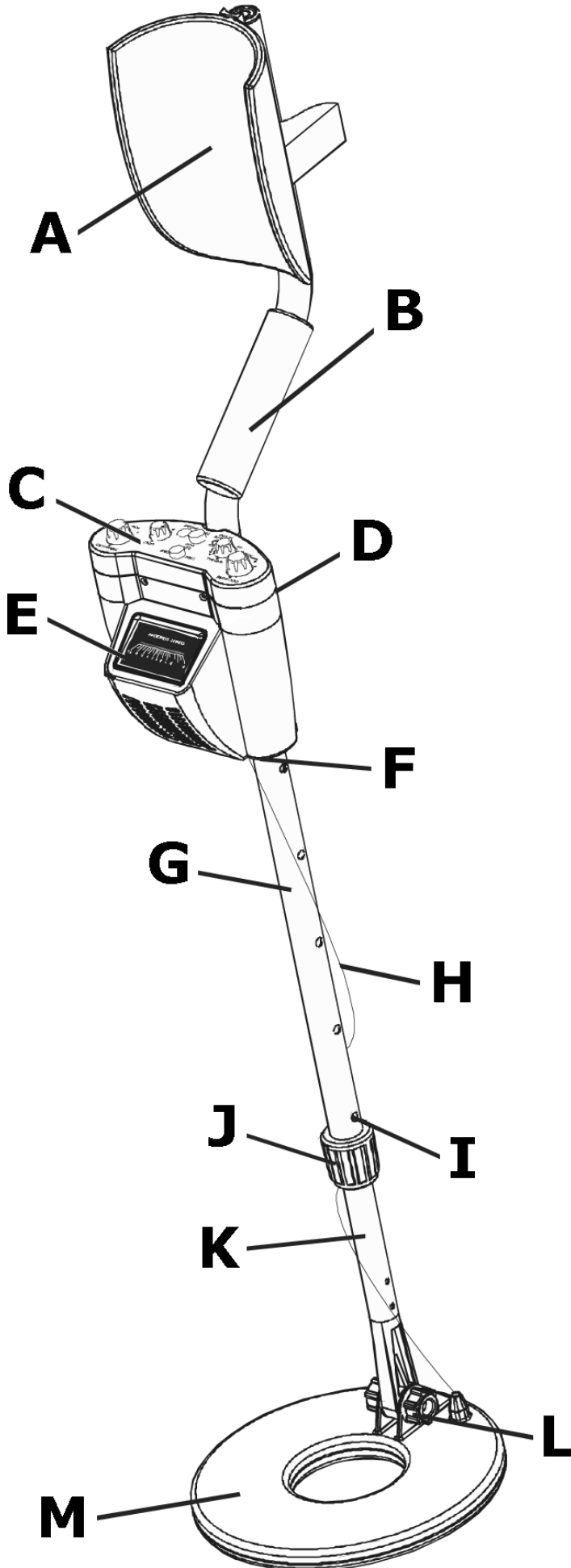


CS102

PROFESSIONAL METAL DETECTOR
PROFESIONELE METAALDETECTOR
DÉTECTEUR DE MÉTAUX PROFESSIONNEL
DETECTOR DE METALES PROFESIONAL
PROFESSIONELLER METALLDETEKTOR
PROFESJONALNY WYKRYWACZ METALI



USER MANUAL	3
GEBRUIKERSHANDLEIDING	10
NOTICE D'EMPLOI	18
MANUAL DEL USUARIO	26
BEDIENUNGSANLEITUNG	34
INSTRUKCJA UŻYTKOWNIKA	42



User manual

1. Introduction

To all residents of the European Union

Important environmental information about this product



This symbol on the device or the package indicates that disposal of the device after its lifecycle could harm the environment. Do not dispose of the unit (or batteries) as unsorted municipal waste; it should be taken to a specialized company for recycling. This device should be returned to your distributor or to a local recycling service. Respect the local environmental rules.

If in doubt, contact your local waste disposal authorities.

Thank you for choosing Velleman! Please read the manual thoroughly before bringing this device into service. If the device was damaged in transit, do not install or use it and contact your dealer. Damage caused by disregard of certain guidelines in this manual is not covered by the warranty and the dealer will not accept responsibility for any ensuing defects or problems.

2. Safety Instructions



Keep the device away from children and unauthorised users.



Caution: wearing headphones in public places may lead to hazardous situations as traffic noise or audible warning signals are subdued.



NEVER TOUCH AMUNITION OR OTHER POTENTIALLY LETHAL OBJECTS. Clearly mark the finding location – have somebody guard the site when possible - and contact the local authorities at once.

3. General Guidelines

Refer to the **Velleman® Service and Quality Warranty** on the last pages of this manual.

- Protect this device from shocks and abuse. Avoid brute force when operating the device.
- Protect the device against extreme heat, dust and moisture.
- Familiarise yourself with the functions of the device before actually using it.
- All modifications of the device are forbidden for safety reasons.
- Only use the device for its intended purpose. Using the device in an unauthorised way will void the warranty.
- Damage caused by disregard of certain guidelines in this manual is not covered by the warranty and the dealer will not accept responsibility for any ensuing defects or problems.
- The warranty does not cover damage caused by salty environments.
- **Always** make sure to comply with local rules and regulations.
- If the device is not used for a long time, remove the batteries. Leaking batteries can cause serious damage.

4. Features

- DISC/TONE: discriminate between different metal types
- GND BALL: adjust soil interference
- VOL: adjust volume
- TRACE: trace the target being detected
- SENS: adjust the sensitivity
- TRESHOLD: adjust the strength of the signal
- adjustable handle
- target indicator
- on/off button
- waterproof searching coil
- 'all metal' mode can detect all kinds of metal

5. Overview

Refer to the illustrations on page **2** of this manual.

metal detector		G	extension shaft
A	arm rest	H	cable
B	control shaft with handle	I	spring-loaded button
C	control box	J	locking nut
D	battery compartment	K	lower shaft
E	target indicator	L	nut
F	5-pin input jack	M	search coil

control box + indicator		
1	DISC/TONE	discrimination control: to eliminate (notch) undesired metals Note: this setting influences the sensitivity
2	GND BAL	ground balance control: to eliminate background signals caused by mineralized soils
3	VOL	volume button: set speaker or headphone volume to normal or low
4	TRACE	trace button: to keep the detector in tune
5	PHONE	headphone jack: to connect an external headphone (not incl.)
6	SENS	sensitivity control: to control the depth of detection
7	THRESHOLD	threshold control: adjust the level of the received signal
8	LOW BAT	low battery indication: lights up when voltage drops below 8.8V
9	DISC - TONE	discrimination mode selector: in DISC mode, type of metal is indicated by tone length; in TONE mode it is indicated using high or low tones
10	analogue meter	needle indicates signal intensity (ALL METAL mode) or metal type (DISC mode)

6. How it works

- A (low frequency) metal detector basically consists of a transmitter, a receiver and a microprocessor (control box) which handles the signals.

Transmitter

- The transmitter is a coil of wire located inside the search coil. By sending an alternating current through this coil a magnetic field is generated, having a polarity pointing either into or out of the ground. This magnetic field will induce a flow of current inside nearby metallic objects. These objects in turn will create a magnetic field with a polarity which is usually opposite to that of the magnetic field of the transmitter.

Receiver

- The receiver is another coil of wire that is located inside the search coil and which is constructed in such a way that the magnetic field of the transmitting coil does not induce current in it. Magnetic fields from nearby metallic objects however will produce an electric current in the receiver coil.

Phase shift

- The signal received from the receiving coil will usually be delayed versus the transmitted signal due to the tendency of conductors to impede changes in the flow of current, the so called inductance. The delay is referred to as **phase shift**. Metal objects that are primarily inductive e.g. large thick objects made of good conductors (gold, silver, copper...) will result in large phase shifts, whereas metal objects that are primarily resistive e.g. smaller thin objects made of less conductive materials will result only in minor phase shifts. Refer to the table below for a short overview of the electrical conductivity of some materials.

Material	Electrical conductivity (S/m)	Material	Electrical conductivity (S/m)
silver	63.01×10^6	nickel	14.3×10^6
copper	59.6×10^6	iron	9.93×10^6
gold	45.2×10^6	platinum	9.66×10^6
aluminium	37.8×10^6	tin	9.17×10^6
calcium	29.8×10^6	sea water	4.788
zinc	16.6×10^6	drinking water	0.0005 ~ 0.05

- Note that detection also depends on the size, shape, depth... of the metal.

Ferromagnetic

- Substances that usually conduct very poorly or not at all can become magnetized when inside a magnetic field, resulting in a strong signal picked up by the receiver. However, this signal shows little or no phase shift. Soils containing small grains of iron-bearing minerals will show ferromagnetic characteristics.

Discrimination

- Since any given metal will respond with its own characteristic phase shift, it will be possible to distinguish between them. The process of distinguishing between different metals is called **discrimination**.

Ground balance

- As mentioned earlier, soils that contain iron will produce a response signal which can be a lot stronger than the signal produced by a metallic object concealed in it. This is also the case for places where ground water contains a lot of dissolved salt.
- However, the phase shift caused by the ground, the ground effect, remains fairly constant over a limited area when the search head is kept at a steady height.
- Accurate ground balance makes it possible to precisely pin-point the location and depth of an object. It is essential when working in 'all metal' mode.

7. Preparation

- Prior to use, the **CS102** must be assembled.
- Mount the search coil **[M]** on the lower shaft **[K]**. Push the bolt through the holes and tighten with the nut knob **[L]**. Do not tighten the search coil fixation too hard e.g. do not use pliers or other tools.
- Slide the extension shaft **[G]** into the control shaft **[B]**. Rotate the extension shaft **[G]** until the spring-loaded buttons snap into place.
- Line up the spring-loaded buttons **[I]** of the lower shaft **[K]** with the holes in the extension shaft **[G]**. Slide the lower shaft **[K]** into the extension shaft **[G]**.
- To determine the ideal shaft length, stand upright holding the metal detector by the handle **[B]** and your arm on the arm rest **[A]**. When holding your arm relaxed next to your body, the search coil **[M]** should be about ½" to 2" (max.) above the ground. To adjust the length, press on the spring-loaded button **[I]** and move the lower shaft **[K]** to the desired length.
- Turn the locking nut **[J]** counter clockwise (top view) to secure the lower shaft.
- Loosen the search coil fixation knob, adjust the search coil **[M]** so it is parallel to the ground and tighten the nut knob.
- Wind the cable **[H]** around the shaft, leaving enough slack. Insert the plug into the 5-pin input jack **[F]**. The slotted connector only fits in one way, do not force.
- Insert batteries (see §14).

8. Operation

- It is strongly advised to test the detector at home before going into the field. Perform tests with different metals e.g. coins, golden ring, silver spoon...
 - Perform indoor tests by placing the detector on a wooden or plastic table, search coil **[M]** facing the ceiling and slowly moving a metal object over the coil. Be sure not to wear jewellery as these will influence the reading. Hold the metal object under different angles while moving across the coil and notice the difference in detection. Note that the volume will increase quickly as the metal object passes directly in front of the search head, with the loudest sound occurring when the search head is centred immediately over the metal object. As the object passes beyond the search head the sound will quickly fade.

Note: Never test the detector on a floor inside a building. Most buildings have metal of some kind in the floor, which might interfere with the objects you're testing or mask the signal completely.

The search coil will not detect without motion. You must move the object since you are not sweeping with the detector at this time.

If the detector does not detect the material, check the battery power and verify that the search coil is properly connected.

- Also perform outdoor tests to learn the influence of the soil type on the detector and to practise ground balancing. Place a metal object on the ground and slowly sweep the search coil **[M]** over it. Be careful when using valuable metals for outdoor testing – make sure you can always retrieve them.

Note: The detector responds with a strong signal when it detects most valuable metal objects. If a signal does not repeat after you sweep the search coil over the target a few times, the target is probably junk metal.

False signals can be caused by trashy ground, electrical interference or large irregular pieces of junk metal. False signals are usually broken or non-repeatable.

- Switch on the detector by turning the discrimination threshold control [7] clockwise. To switch it off, turn the control counter clockwise until a click is heard.
- When desired, plug a headphone (not included) with a 3.5mm plug into the headphone jack [5]. Consider using a headphone with sound control, as the detector can only switch output sound level between normal or low mode.
- Set the speaker (or headphone) sound level to normal or low using the volume button [3].
- When the low battery indication [8] lights up, replace the batteries to ensure detecting accuracy.

ALL METAL -mode

- To find any kind of metal, turn the discrimination control knob [1] counter clockwise until a click is heard. Set the sensitivity control [6] to average. Setting the sensitivity control [6] to high in all-metal mode will produce a complex return signal.
- Hold the search coil [M] ±1m above the ground, press and hold the trace button [4] and turn the ground balance control [2] to area 'P'. Release the trace button [4].
- Hold the search coil [M] ½"~2" from the ground. If the meter [10] points to the right (speaker sound high), turn the ground balance control [2] counter clockwise; if the meter [10] points towards the left (speaker sound low), rotate the ground balance control [2] clockwise.

Note: After each ground balance control [2] adjustment, press the trace button [4] to initialize the new setting. Press the trace button [4] whenever the detector is drifting away from the sensitivity setting, e.g. when moving from dry ground to wet ground.

- When searching in highly mineralized areas, set the sensitivity control [6] and threshold control [7] to low by turning counter clockwise, and keep the searching coil [M] slightly further away from the ground.

DISC -mode

- When a metal object is detected, set the discrimination mode detector [9] to 'DISC' and slowly turn the discrimination control [1] clockwise (away from 'all metal'). The further the knob is turned, the more metals will be rejected. Refer to §6 how it works – phase shift for more information.
- If the discrimination control [1] is set to zero, all detected metals will produce a long tone. When set higher, rejected metals will produce a short tone while accepted metals still produce a long tone.

TONE -mode

- Set the discrimination mode detector [9] to 'TONE' to get a tone indication depending on the type of detected metal. Low resistive metals (e.g. Silver) will produce a high tone, while higher resistive metals (e.g. Copper) will produce a lower tone.
- If the discrimination control [1] is set to zero, all detected metals will produce a high tone. When set higher, rejected metals will produce a low tone while accepted metals still produce a high tone.

9. Recommendations for use

- Treasure hunting can be a profitable and a rewarding hobby, if approached in a patient and diligent manner. Time spent researching to locate a worthwhile search site can be time wasted if your search is hasty and erratic. To achieve maximum results, it is important to decide on your approach to each particular site, before the actual search.
- Tactics will be decided by the type of site – it is more profitable to scan a small area thoroughly than to conduct a haphazard search of the total site. However, when the site is too far away for you to make several return visits, a plan should be adopted which gives maximum site coverage, but at the same time allows some detailed search.
- It quite often happens that where one find is made, other finds will be made in the immediate vicinity. Accordingly, places having the highest density of markers represent the most likely spots for further finds.
- The detailed search is made by marking out strips of a width determined by the sweep of the detector, and moving forwards the approximate diameter of the search head after each sweep until the 'strip' has been completely covered. The adjacent strips are covered in similar manner, until the complete area has been thoroughly searched.
- Wooden pegs and string are ideal for marking out areas, but very often natural landmarks such as trees, rocks and plants can with practice, prove just as effective.

10. Useful tips

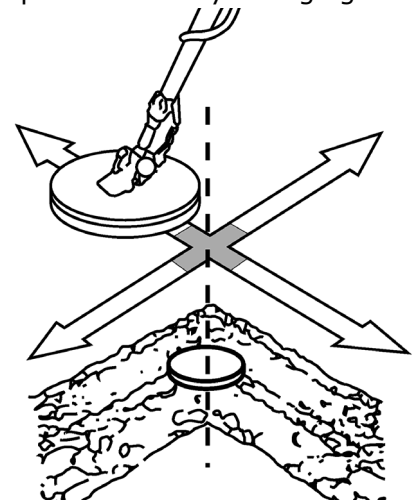
- No detector is 100 percent accurate. Various conditions influence metal detection. The detector's reaction depends on a number of things:
 - the angle at which the object rests in the ground.
 - the depth of the object.
 - the amount of iron in the object.
 - the size of the object

Search coil sweeping hints

- Never sweep the search coil as if it were a pendulum. Raising the search coil while sweeping or at the end of a sweep will cause false readings.
- Sweep slowly. Hurrying will cause you to miss targets.
- It is better to sweep the search coil from side to side in a straight line and keep the search coil parallel with the ground.
- The detector responds with a signal when it detects most valuable metal objects. If a signal does not repeat after you've swept the search coil over the target a few times, the target is probably junk metal.
- False signals can be caused by trashy ground, electrical interference, or large irregular pieces of junk metal.
- False signals are usually broken or non-repeatable.

Pinpointing a target

- Accurately pinpointing a target makes digging it up easier. Accurate pinpointing takes practice, and we suggest you practice finding and digging up small metal objects on your own property before you search other locations.
- Sometimes, targets are difficult to accurately locate due to the sweep direction. Try changing your sweep direction to pinpoint a target.
- Follow these steps to pinpoint a target.
 - When the detector detects a buried target, continue sweeping the search coil over the target in a narrowing side-to-side motion.
 - Make a visual note of the exact spot on the ground where the detector beeps.
 - Stop the search coil directly over this spot on the ground. Then move the search coil straight forward away from you and straight back toward you a couple of times.
 - Make a visual note of the exact spot on the ground where the detector beeps.
 - Repeat Steps 1-3 at a right-angle to the original search line, making an "X" pattern. The target will be directly below the "X" at the point of the loudest response.



Notes:

- If trash in an area is so heavy that you get false signals, slow your sweep and use shorter sweeps.
- Recently buried coins might not respond the same as coins buried for a long period of time because of oxidation.
- Some nails, nuts, bolts, and other iron objects (such as old bottle caps) oxidise and create a "halo" effect. A halo effect is caused by a mixture of natural elements in the ground and the oxidation created by different metals. Because of the metal mixtures, target signals might not be in a "fixed" position. This effect makes these objects very hard to detect accurately.

Detection range

- The detection range will vary depending on the size of the object, the length of time an object has been buried and the type of ground the object is buried in. The best soil is compact soil, where you can locate coins at great depth, especially if they have interacted with the salts in the ground, which makes them appear larger to the detector. The worst conditions for detecting are in loose soil or freshly dug ground or when the object has only recently been buried. Ninety percent of all objects are found within 6" of the surface. Adverse soil conditions can reduce the detection range by as much as 50%.

Determining the target size and depth

- An operator who is familiar with his instrument will be able to do an excellent job of determining object size, shape and depth before he digs. He does this through careful analysis of the audio

signals coming from the detector. You should always listen for the specific characteristics of a signal. Determine over how large an area the contact generates a signal to try and "outline" the object before you dig. Listen for the sharpness or dullness of the signal and determine the strength of the signal. A coin generates a sharp signal, while the signal for a nail is vague.

Batteries

- Always carry a spare set of batteries when going out on a fieldtrip.
- Using headphones will increase batteries life-time.

11. Cleaning and storage

- The life of your detector is shortened by neglect or careless use. Wipe the housing with a damp cloth and then wipe it dry carefully if you have used the detector in a hostile environment (salty water, sand, etc.).
- Do not clean the detector with solvents or detergents.
- The search coil is waterproof and can be submerged in either fresh or salt water. However, do not let water enter the control box. Rinse the search coil with fresh water after using in salt water.

Salt damage

- Salty air can penetrate the control box in case of frequent use in a salty environment. Parts of the electronic circuitry may corrode. You can protect your metal detector by covering the control box with polythene. The warranty does not cover damage caused by salty environments.

Storage

- Store the detector in a dry and warm environment under normal humidity conditions.
- Remove the batteries to prevent them from leaking if the metal detector is to be stored for long periods.

12. Troubleshooting

- Before turning the device in for repair, read this section as it might contain the solution for your problem.
- When problems occur, first check the batteries. Replace the batteries when necessary and ensure the connections are correct and secure.

Oscillating Signal

- This is caused most often by outside sources such as fluorescent lights, radios, power lines and the proximity of other metal detectors. There's not much you can do about it.

Intermittent Sound from Speaker

- This can have several origins:
 - This could be due to poor battery connections. Make sure the batteries are securely clipped in place.
 - A radio transmission from a passing taxi or another vehicle using radio transmitter equipment.
 - The speaker may have come loose. Have your dealer fix the speaker back into place.

The detector drifts out of tune

- The metal detector can be affected by changing temperatures e.g. when the device is taken out of storage and out into the field. Wait a while until the temperature of your CS102 has stabilised. The device may need as much as half an hour to acclimatise if the change in temperature is extreme.
- Sometimes batteries will cause the signal to drift. Replace them if this is the case.

13. Code of Conduct

- Do not interfere with archaeological sites or ancient monuments. Join your local archaeological society if you are interested in ancient history.
- Do not leave a mess. Use a sharpened trowel or knife to cut a neat circle or triangle, extract the object and carefully replace the soil and the grass.
- Help keep your country tidy. Bottle tops, silver paper and tin cans belong in a waste bin. Rusty iron and other scrap should be collected and taken to a specialized company for further handling.
- Do not trespass: ask permission before venturing onto private property.
- Report all historical finds to the local museum or government and get expert help if you accidentally discover a site of archaeological interest.
- Be very careful if you discover any live ammunition or any lethal object such as an unexploded mine. Do not touch the object! Mark the site carefully and report the find at once to the local police.
- Do not leave gates open when crossing fields and do not damage crops or frighten animals.

- Try to get along with any other detector you may meet. There is much to be learnt from experienced users.
 - Always obey local laws and regulations. Contact your local government for more information.
- Notice:** It is illegal for anyone to use a metal detector on a scheduled ancient monument unless permission has been obtained from the Historic Buildings and Ancient Monument Commission for England or the Secretary of State for the Environment in Scotland and Wales.

14. Batteries

- When battery-voltage is low (<8.8V), the low battery indicator **[8]** lights up and batteries must be replaced to ensure correct functioning of the detector.
- Switch off the detector by turning the threshold control **[7]** counter clockwise until a click is heard.
- The batteries are divided over 2 separate battery compartments **[D]** at the back of the control box **[C]**, one on either side of the shaft.
- Open the compartments **[D]** and insert 8 new 1.5V AA batteries (not included) following the polarity markings inside the compartment. Make sure these batteries are all of the same type and capacity. Never mix old and new batteries.
- Close the battery compartments. The detector is now ready for use.



WARNING:
Do not puncture or throw batteries in fire as they might explode.
Do not attempt to recharge non-rechargeable batteries.
Dispose of batteries in accordance with local regulations.
Keep batteries away from children.

15. Technical specifications

discrimination modes	notch, tone
frequency	6.5KHz
sensitivity	20cm for a € 2 coin (Ø 25mm), in 'all metal' mode, under ideal circumstances
low battery indication	red LED when <8.8V
signal output	speaker and 3.5mm headphone jack
display	6.35cm (2.5") analogue panel meter
power supply	8x 1.5V battery type AA (LR6C, not incl.)
dimensions	
length	112~144cm (44"~57")
coil	Ø21.5cm (8.5")
weight	1260g (2.78lbs)

Use this device with original accessories only. Velleman nv cannot be held responsible in the event of damage or injury resulted from (incorrect) use of this device.

For more info concerning this product, please visit our website www.velleman.eu. The information in this manual is subject to change without prior notice.

© COPYRIGHT NOTICE

The copyright to this manual is owned by Velleman Components nv. All worldwide rights reserved. No part of this manual or may be copied, reproduced, translated or reduced to any electronic medium or otherwise without the prior written consent of the copyright holder.

Gebruikershandleiding

1. Inleiding

Aan alle ingezetenen van de Europese Unie

Belangrijke milieu-informatie betreffende dit product



Dit symbool op het toestel of de verpakking geeft aan dat, als het na zijn levenscyclus wordt weggeworpen, dit toestel schade kan toebrengen aan het milieu. Gooi dit toestel (en eventuele batterijen) niet bij het gewone huishoudelijke afval; het moet bij een gespecialiseerd bedrijf terechtkomen voor recyclage. U moet dit toestel naar uw verdeler of naar een lokaal recyclagepunt brengen. Respecteer de plaatselijke milieuwetgeving.

Hebt u vragen, contacteer dan de plaatselijke autoriteiten betreffende de verwijdering.

Dank u voor uw aankoop! Lees deze handleiding grondig voor u het toestel in gebruik neemt. Werd het toestel beschadigd tijdens het transport, installeer het dan niet en raadpleeg uw dealer.

2. Veiligheidsinstructies



Houd buiten het bereik van kinderen en onbevoegden.



Let op: Het dragen van een hoofdtelefoon op de openbare weg kan gevaarlijk zijn. Zorg ervoor dat u alle waarschuwingsgeluiden en het verkeer goed kunt horen.



RAAK NOOIT MUNITIE OF ANDERE LEVENSGEVAARLIJKE OBJECTEN AAN. Baken de locatie af – laat eventueel iemand de locatie bewaken – en waarschuw onmiddellijk de plaatselijke overheid.

3. Algemene richtlijnen

Raadpleeg de **Velleman® service- en kwaliteitsgarantie** achteraan deze handleiding.

- Bescherm dit toestel tegen schokken. Vermijd brute kracht tijdens de bediening van dit toestel.
- Bescherm dit toestel tegen extreme temperaturen, stof en vochtigheid.
- Leer eerst de functies van het toestel kennen voor u het gaat gebruiken.
- Om veiligheidsredenen mag de gebruiker geen wijzigingen aanbrengen aan het toestel.
- Gebruik het toestel enkel waarvoor het gemaakt is. Bij onoordeelkundig gebruik vervalt de garantie.
- De garantie geldt niet voor schade door het negeren van bepaalde richtlijnen in deze handleiding en uw dealer zal de verantwoordelijkheid afwijzen voor defecten of problemen die hier rechtstreeks verband mee houden.
- Schade door wijzigingen die de gebruiker heeft aangebracht aan het toestel vallen niet onder de garantie.
- De garantie geldt niet voor schade wegens gebruik in zoute omgevingen.
- **Leef de lokale wetgeving zorgvuldig na.**
- Verwijder de batterijen uit de metaaldetector indien u hem een lange tijd niet gebruikt. Batterijen kunnen gaan lekken en het interne circuit ernstig beschadigen.

4. Eigenschappen

- DISC/TONE: discriminatie tussen verschillende metaaltypes
- GND BALL: bijregeling van de bodemeigenschappen
- VOL: volumeregeling
- TRACE: reset van de instelling
- SENS: instelling van de gevoeligheid
- TRESHOLD: instelling van de signaalsterkte
- lengte van de steel is regelbaar
- plaatsaanduiding van het voorwerp
- aan-uitschakelaar
- waterbestendige zoekschotel
- ALL METAL-stand: detecteert alle soorten metaal

5. Omschrijving

Raadpleeg de figuren op pagina 2 van deze handleiding.

metaaldetector		G	verlengsteel
A	armsteun	H	kabel
B	handvat	I	knop met veer
C	bedieningspaneel	J	vergrendeling
D	batterijvak	K	onderste steel
E	target indicator	L	moer
F	5-pins ingangsaansluiting	M	zoekschotel

bedieningspaneel + indicator

1	DISC/TONE	discriminatie: metaalfilter opmerking: deze instelling beïnvloedt de gevoeligheid
2	GND BAL	bodembalans: uitsluiten van mineralen in de bodem
3	VOL	volumeknop: bijstellen van het volume van de hoofdtelefoon of de luidspreker
4	TRACE	reset van de instelling
5	PHONE	aansluiting externe hoofdtelefoon (niet meegeleverd)
6	SENS	gevoeligheidsregeling: instelling van de dieptegevoeligheid
7	THRESHOLD	bijstelling van de basistoon
8	LOW BAT	aanduiding zwakke batterij: licht op wanneer batterijspanning < 8,8 V
9	DISC - TONE	keuzeschakelaar discriminatiesignaal: in DISC-stand wordt het metaaltype aangegeven door de lengte van de toon, in TONE-stand wordt het metaaltype aangegeven door de toonhoogte
10	analoge meter	de naald geeft de signaalsterkte (ALL METAL) of het metaaltype (DISC) aan

6. Werking

- Een (laagfrequente) metaaldetector bestaat voornamelijk uit een zender, een ontvanger en een microprocessor die de signalen verwerkt.

De zender

- De zender is een spoel binnenin de zoekschotel. Door een wisselstroom door deze spoel te jagen, wordt een magnetisch veld gegenereerd met een polariteit van of naar de bodem toe. Dit magnetische veld induceert een stroom in het metalen object dat op zijn beurt een magnetisch veld genereert met een tegengestelde polariteit.

De ontvanger

- De ontvanger is een tweede spoel binnenin de zoekschotel en is zo gebouwd dat het magnetische veld van de spoel geen stroom voortbrengt. Het magnetische veld van een metalen object zal echter wel een elektrische stroom in de spoel induceren.

Faseverschuiving

- Het ontvangen signaal zal doorgaans een vertraging oplopen ten opzichte van het uitgezonden signaal. Dit komt omdat bij geleiders een verandering van stroomflux optreedt, de zogeheten zelfinductie. Deze vertraging wordt aangeduid met **faseverschuiving**. Metalen objecten met een primaire inductie, namelijk grote objecten bestaande uit goede geleiders (goud, zilver, koper...), vertonen een grote faseverschuiving. Metalen objecten met een primaire weerstand, namelijk kleine objecten bestaande uit slechte geleiders, vertonen slechts kleinere faseverschuivingen. Raadpleeg de tabel hieronder voor een kort overzicht van de verscheidene materialen en hun geleidende eigenschappen.

Materiaal	Elektrische geleiding (S/m)	Materiaal	Elektrische geleiding (S/m)
zilver	$63,01 \times 10^6$	nikkel	$14,3 \times 10^6$
koper	$59,6 \times 10^6$	ijzer	$9,93 \times 10^6$
goud	$45,2 \times 10^6$	platina	$9,66 \times 10^6$
aluminium	$37,8 \times 10^6$	tin	$9,17 \times 10^6$
calcium	$29,8 \times 10^6$	zout water	4,788
zink	$16,6 \times 10^6$	zoet water	0,0005 ~ 0,05

- De waarneming van een metalen voorwerp hangt af van zijn grootte, vorm en diepte.

Ferromagnetisme

- Slechte geleiders die zich in een magnetisch veld bevinden, kunnen toch magnetische signalen uitzenden die door de metaaldetector goed worden opgevangen. Deze signalen vertonen geen of slechts een kleine faseverschuiving. Bodems met ijzermineralen bezitten deze ferromagnetische eigenschappen.

Discriminatie

- Elke metaalsoort heeft een eigen faseverschuiving. Dankzij de verschillende faseverschuivingen kan men een metaalsoort van een ander onderscheiden. Het onderscheiden van de metalen heet **discriminatie**.

Bodembalans

- Zoals hierboven vermeld, zullen ijzerhoudende bodems een signaal uitzenden dat sterker is dan het signaal uitgezonden door het metalen object in die bodem. Dit fenomeen vindt ook plaats in een bodem met veel zout water.
- Deze bodems hebben echter een zeer constante faseverschuiving wanneer u de zoekschotel stilhoudt.
- Door de bodembalans zorgvuldig bij te regelen, kunt u een de plaats en de diepte van het object nauwkeurig bepalen. U moet de bodembalans bijregelen in ALL METAL-stand.

7. Voorbereiding

- Assembleer uw detector. Monteer de zoekschotel **[M]** op de onderste steel **[K]**. Duw de bout door de gaten en draai vast met de moer **[L]**. Draai de zoekschotel niet te hard vast.
- Schuif de verlengsteel **[G]** in het handvat **[B]** en draai de steel **[G]** tot hij in het handvat klikt.
- Plaats de knoppen **[I]** op de onderste steel **[K]** tegenover de gaten in de holes in de verlengsteel **[G]**. schuif de onderste steel **[K]** in de verlengsteel **[G]**.
- Bepaal nu de ideale lengte van de metaaldetector. Sta mooi recht en houd de detector aan het handvat **[B]** vast zodat uw arm in de armsteun **[A]** ligt. Houd uw arm losjes naast uw lichaam zodat de zoekschotel **[M]** ongeveer 5 cm boven de grond hangt. Regel de lengte door op de knop **[I]** te drukken en de onderste steel **[K]** aan te passen.
- Draai de vergrendeling **[J]** vast en bevestig de onderste steel.
- Maak de zoekschotel **[M]** lichtjes los, regel bij zodat hij evenwijdig met de grond staat en bevestig met de moer.
- Wikkel de kabel **[H]** lichtjes rond de steel. Steek de stekker voorzichtig in de 5-pins ingang **[F]**.
- Plaats de batterijen (zie §14).

8. Gebruik

- Test eerst de detector met muntstukken, ringen, zilveren bestek... alvorens hem te gaan gebruiken.
 - Test de detector eerst binnenshuis. Plaats de detector op een houten vloer of een plastic tafel met de zoekschotel **[M]** naar het plafond gericht. Verwijder uw horloge en juwelen. Beweeg het testvoorwerp langzaam voor de zoekschotel. Houd het testvoorwerp onder verschillende hoeken vast en merk het verschil in hoorbaar signaal. Het signaal is het luidst wanneer het voorwerp zich pal in het centrum van de zoekschotel bevindt.

Opmerking: Test de detector nooit op de vloer binnenshuis. Het gewapend beton de meeste huizen kan de signalen van de testvoorwerpen volledig overtreffen.

De zoekschotel functioneert niet indien u die niet slingert. U kunt het testvoorwerp ook voor de zoekschotel heen en weer bewegen.

Controleer de batterijen en zorg ervoor dat de zoekschotel correct is aangesloten indien u geen signaal ontvangt.

- Test de detector nu ook buitenshuis zodat u de invloed van de verschillende bodemtypes ondervindt. Dit is een goede oefening om de bodembalans bij te regelen. Plaats een metalen voorwerp op de grond en slinger de zoekschotel **[M]** langzaam over het testvoorwerp.

Opmerking: De detector geeft een sterk signaal wanneer hij een kostbaar voorwerp waarneemt. Geeft hij geen signaal wanneer u veelvuldig over het voorwerp slingert, dan is het waarschijnlijk schroot.

Valse signalen worden veroorzaakt door een bevuilde bodem, elektrische storingen of grote stukken schroot. Een vals signaal wordt doorgaans snel afgebroken en wordt geen tweede keer herhaald.

- Schakel de detector in door de THRESHOLD-knop **[7]** naar rechts te draaien; schakel hem uit door de knop naar links te draaien tot u de knop hoort klikken.

- Gebruik indien gewenst een hoofdtelefoon (niet meegeleverd) met een stekker van 3,5 mm. Gebruik bij voorkeur een model met instelbaar volume, aangezien de detector slechts een 'normal'- en een 'low'-stand heeft.
- Stel het volume van de detector in met de volumeknop [3].
- Vervang de batterijen zodra de aanduiding voor zwakke batterijen [8] oplicht.

ALL METAL-stand

- Draai de DISC/TONE-knop [1] volledig naar links tot u de knop hoort klikken. Draai de SENS-knop [6] tot in het midden (een hoge gevoeligheid in de ALL METAL-stand veroorzaakt complexe signalen).
- Houd de zoekschotel [M] ongeveer 1 m boven de grond, houd de TRACE-knop [4] ingedrukt en draai gelijktijdig de GND BAL-knop [2] naar de P-zone. Laat de TRACE-knop [4] los.
- Houd de zoekschotel [M] nu 5 cm boven de grond. Draai de GND BAL-knop [2] naar links indien de naald van de meter [10] naar rechts wijst (hoge toon). Draai de GND BAL-knop [2] naar rechts indien de naald van de meter [10] naar links wijst (lage toon).

Opmerking: Druk na elke regeling van de bodembalans [2] op de TRACE-knop [4] om de nieuwe instelling te bevestigen. Druk op de TRACE-knop [4] zodra de omstandigheden verschillen van de instellingen, bv. wanneer u van een droge naar een vochtige bodem overgaat.

- Houd de SENS- [6] en de THRESHOLD-instelling [7] laag indien u in een zeer gemineraliseerde bodem zoekt. Houd ook de zoekschotel [M] iets hoger boven de grond.

DISC-stand

- Wanneer u een metalen voorwerp waarneemt, plaats de DISC/TONE-schakelaar [9] op DISC en draai de DISC/TONE-knop [1] langzaam naar rechts (weg van ALL METAL). Hoe verder u de knop naar rechts draait, hoe meer metalen genegeerd worden. Raadpleeg §6 Werking – Faseverschuiving voor meer informatie.
- Als de DISC/TONE-knop [1] op de minimale stand staat, zullen alle waargenomen metalen voorwerpen een lange toon genereren. Op een hogere instelling zullen de te negeren metalen een korte toon genereren terwijl de waardevolle metalen nog steeds een lange toon genereren.

TONE-stand

- Plaats de DISC/TONE-schakelaar [9] op TONE. De detector genereert een toon naargelang het waargenomen metaaltype. Metalen met een lage weerstand zoals zilver genereren een hoge toon; metalen met een hogere weerstand zoals koper genereren een lagere toon.
- Als de DISC/TONE-knop [1] op de minimale stand staat, zullen alle waargenomen metalen voorwerpen een lange toon genereren. Op een hogere instelling zullen de te negeren metalen een lage toon genereren terwijl de waardevolle metalen nog steeds een hogere toon genereren.

9. Gebruikstips

- Schattenjagen kan een winstgevende en dankbare hobby zijn als u er een geduldige en toegewijde houding op na houdt. De tijd die u doorbrengt om een goede zoekplaats te bepalen kan tijdverspilling zijn als u te gehaast zoekt. Om maximaal resultaat te behalen, beslist u best op voorhand voor ieder terrein welke benadering u zult hanteren.
- Uw tactiek zal afhangen van het soort terrein – een kleiner gebied grondig aftasten, rendeert vaak meer dan lukraak op een groot terrein zoeken. Als het terrein echter te ver weg ligt om meerdere bezoeken te brengen, bedenkt u best een strategie die een maximale oppervlakte beslaat, maar toch detailzoeken mogelijk maakt.
- Het gebeurt vaak dat er dicht in de buurt van een vondst later nog vondsten gedaan worden. Bijgevolg zullen terreinen waar u veel signalen ontvangt de grootste kans op verdere vondsten bieden.
- Gedetailleerd zoeken doet u door banden af te bakenen die even breed zijn als de zijdelingse beweging met de detector, en binnen die banden vooruit te gaan aan het tempo van de doorsnee van de zoekschotel per zwaai, tot u de volledige band hebt afgestapt. Zo verdeelt u het hele gebied dat u wilt doorzoeken in banden, en op die manier mist u geen enkel plekje. Houten stokjes en koord zijn ideaal om banden af te bakenen maar vaak kunnen, mits een beetje oefening, natuurlijke herkenningspunten zoals bomen, stenen en planten al even efficiënt zijn.
- Terwijl u aan het zoeken bent, moet u er op letten de zoekschotel zo dicht mogelijk bij de grond te houden. Op die manier kunt u tot op de maximale diepte zoeken. Het bereik van de detector is beperkt en als u de zoekschotel te ver van de grond houdt, vermindert u de effectieve zoekdiepte van uw speurtocht.
- Probeer zo netjes mogelijk te werken als u voorwerpen opgraaft. Niemand ziet graag een voetpad of een veld met putten door achteloos graafwerk – zelfs kleine putjes kunnen gevaarlijk zijn omdat mensen daardoor kunnen struikelen en zich kwetsen.
- Gebruik een stomp truweel of plantenschopje om een graszode uit te steken en schep die uit met een klomp aarde eraan. Controleer eerst of de klomp aarde het gedetecteerde voorwerp bevat

voor u de klomp uiteenhaalt. Gebruik geen scherpe voorwerpen want een kras op een muntstuk kan de waarde aanzienlijk doen dalen.

- Plaats, nadat u het voorwerp opgegraven hebt, de grond en eventuele graszode zo netjes mogelijk terug.
- Een laatste nuttige tip: 'verzamel' alle zilverpapier en schroot die u vindt; als u het gewoon weg gooit, zult u het later waarschijnlijk nog eens bespeuren!

10. Nuttige informatie

Zoektips

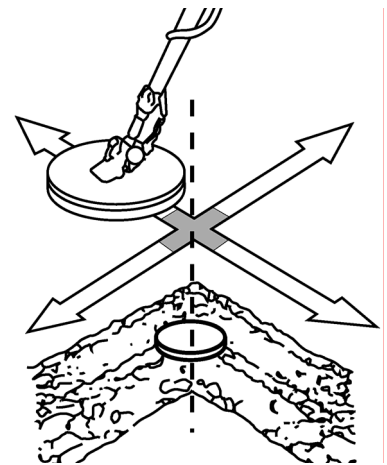
- Geen enkele metaaldetector is 100 % betrouwbaar. Talrijke factoren kunnen de reacties van de detector bij het opsporen van metaal beïnvloeden, zoals:
 - de hoek waarin het voorwerp zich in de grond bevindt
 - de diepte waarop het voorwerp zich bevindt
 - het aandeel aan ijzer dat het voorwerp bevat
 - de omvang van het voorwerp.

Efficiënt zoeken

- Beweeg de zoekschotel niet zoals een pendel. De zoekschotel hoger heffen tijdens of op het einde van een zwaai, kan aanleiding geven tot foute resultaten.
- Beweeg de detector langzaam. Door te vlug te bewegen kunt u voorwerpen missen.
- De ideale beweging met de zoekschotel is zijwaarts en in een rechte lijn, waarbij u de zoekschotel steeds op eenzelfde afstand van de bodem houdt.

Een doelwit bepalen

- Door uw doelwit zo precies mogelijk te bepalen, maakt u het opgraven gemakkelijker.
- Een precieze bepaling vergt enige ervaring. We raden dan ook deze praktijkervaring op te doen door te zoeken en opgravingen te doen op uw eigendom voor u andere plekken gaat ontdekken.
- Soms wordt de precieze bepaling van het doelwit bemoeilijkt door de slingerrichting. Om het doelwit preciezer te kunnen bepalen, kunt u proberen de richting van de slingerbeweging te veranderen.
- Volg de volgende stappen om het doelwit te bepalen:
 - Wanneer de detector een begraven doelwit ontdekt, blijf de zoekschotel dan over het doel bewegen met steeds kleinere zijdelingse slingerbewegingen.
 - Markeer de exacte plek op de grond waar de detector een geluidssignaal geeft.
 - Houd de zoekschotel onmiddellijk stil boven deze plek. Beweeg de zoekschotel vervolgens in een voorwaartse beweging van u vandaan en keer dan terug. Herhaal dit een aantal keren. Markeer terug de exacte plek waar de detector een geluidssignaal laat horen.
 - Herhaal stappen 1 tot en met 3 nu in een hoek van 90° ten opzichte van de oorspronkelijke zoekrichting, waardoor u een patroon in de vorm van een X beschrijft. Het doelwit zal zich onmiddellijk onder de X bevinden, daar waar het signaal het luidst klinkt.



Opmerkingen

- Indien een plek zoveel afval bevat dat dit aanleiding geeft tot misleidende signalen, vertraag en verkort dan de slingerbewegingen.
- Recent begraven muntstukken kunnen anders gaan reageren dan langer begraven muntstukken omwille van de oxidatie bij deze laatste.
- Bepaalde soorten spijkers, schroeven, bouten en andere ijzeren voorwerpen (zoals oude flesdoppen) oxideren en creëren een kringlichteffect. Dit kringlichteffect wordt veroorzaakt door een mengeling van natuurlijke stoffen in de grond en van de oxidatie van verschillende metalen. Door deze mengeling van metalen kan het voorkomen dat signalen niet op een 'vaste' plaats weerklinken. Dit effect maakt het dan ook bijzonder moeilijk om dergelijke voorwerpen precies te bepalen.

Detectiebereik

- Het detectiebereik wordt beïnvloed door de omvang van het voorwerp, hoe lang het voorwerp al onder de grond zit en de samenstelling van de ondergrond waarin het voorwerp ligt. U krijgt de beste resultaten in een droge en compacte grond. Hier kunt u tot op grote diepte nog steeds munten vinden, in het bijzonder indien ze hebben geageerd met de zouten in de ondergrond, die ervoor zorgen dat de doelvoorwerpen groter lijken voor de detector. Het moeilijkst is een losse

of net omgewoelde ondergrond of wanneer het object nog maar net in de ondergrond ligt. Negentig procent van alle voorwerpen worden gevonden op een diepte van minder dan 15 cm. Een slechte bodem kan het detectiebereik met wel 50 % verminderen.

Diepte en grootte van het doelvoorwerp bepalen

- Een ervaren gebruiker heeft, nog voor hij begint te vragen, al een goed idee over de grootte, vorm en diepte van het voorwerp. De aard van het geluidssignaal is hierbij een belangrijke leidraad. U moet altijd luisteren naar de specifieke kenmerken van een signaal. Probeer het gebied af te bakenen waarbinnen de detector een signaal genereert en begin pas dan te graven. Luister naar de scherpte of dofheid van het signaal en bepaal de sterkte ervan. Een muntje zorgt voor een scherp signaal, terwijl het signaal voor een nagel eerder vaag is.

Batterijen

- Zorg ervoor dat u altijd reservebatterijen hebt.
- Gebruik een hoofdtelefoon zodat de batterijen langer meegaan.

11. Onderhoud en opslag

- De levensduur van uw metaaldetector wordt beperkt door een gebrek aan onderhoud of onaangepast en onvoorzichtig gebruik. Veeg de behuizing schoon met een vochtige doek en droog hem daarna zorgvuldig af met een droge doek indien u de behuizing heeft gebruikt in een vijandige omgeving (zout water, zand, enz.).
- Reinig de detector nooit met solventen of detergenten.
- De zoekschotel is bestand tegen water en kan in zowel zoet als in zout water worden gebruikt. Houd het bedieningspaneel echter droog en vochtvrij. Spoel de schotel na gebruik in zout water met zoet water om corrosie te vermijden.

Beschadiging door zout

- Zoute lucht kan de controlebox binnendringen indien u de detector vaak gebruikt in een zoute omgeving. De elektrische componenten kunnen in dat geval corroderen. U kunt de controlebox beschermen met polytheen. De garantie geldt niet voor schade die werd veroorzaakt door een zoute omgeving.

Opslag

- Bewaar de detector in een droge en warme omgeving.
- Verwijder de batterijen indien u het toestel gedurende lange tijd niet zal gebruiken. De batterijen zouden kunnen lekken indien u dit niet doet

12. Problemen en oplossingen

- Lees de puntjes hieronder alvorens u de detector laat repareren. Misschien kunt u het probleem zelf oplossen.
- Controleer eerst de batterijen en vervang ze indien nodig. Zorg ervoor dat alle kabels correct zijn aangesloten.

Schommelend signaal

- Dit wordt meestal veroorzaakt door externe bronnen zoals tl-lampen, taxi's, radio's, stroomkabels en de nabijheid van andere metaaldetectoren. Hiertegen valt niet veel te beginnen.

Onderbroken geluid via luidspreker

- Verschillende oorzaken zijn mogelijk:
 - Slechte batterijaansluitingen. Zorg ervoor dat de batterijen goed aangesloten zijn.
 - Een radio-uitzending van een voorbijrijdende taxi of een ander voertuig met zendapparatuur.
 - De luidspreker kan losgekomen zijn. Laat uw kleinhandelaar de luidspreker weer vastmaken.

De detector wordt ontregeld

- De metaaldetector kan beïnvloed worden door temperatuurswijzigingen, bv. wanneer u het toestel uit zijn opbergplaats neemt om het in open lucht te gebruiken. Wacht een poosje tot het toestel geacclimatiseerd is. Bij grote temperatuurswijzigingen kan dit zelfs een half uur duren.
- Soms wordt het signaal beïnvloed door de batterijen. Vervang ze indien nodig.

13. Gedragscode

- Verstoor geen archeologische sites en beschadig geen historische monumenten. Word lid van de plaatselijke archeologische vereniging indien geschiedenis u interesseert.
- Laat geen rotzooi achter. Gebruik een truweel of een mes om een mooie cirkel of driehoek uit te snijden, verwijder het gevonden voorwerp en leg de aarde en de graszoden zorgvuldig terug.

- Help mee om uw land proper te houden. Flessendopjes, zilverpapier en blikjes zou men niet mogen weggooien. Doe uw medemens een plezier en gooi ze in de eerste vuilbak die u ziet. Raap roestig ijzer of ander schroot voorzichtig op en breng het naar een recyclagecentrum.
- Kom niet op verboden terrein zonder toestemming van de eigenaar.
- Breng het plaatselijke museum of de overheid op de hoogte van elke historische vondst en roep de hulp in van deskundigen indien u toevallig op een site stoot van archeologisch belang.
- Wees zeer voorzichtig wanneer u onontpofte bommen, mijnen of andere explosieven vindt. Raak het voorwerp in kwestie niet aan! Geef de vindplaats nauwkeurig aan en meld de vondst zo snel mogelijk aan de plaatselijke politie.
- Laat geen hekkens open staan wanneer u door de velden loopt. Beschadig geen gewassen en doe de dieren niet opzettelijk schrikken.
- Probeer een goede verstandhouding op te bouwen met de andere gebruikers die u ontmoet. U kunt veel leren van ervaren schattenjagers.
- Leef de plaatselijke wetgeving nauwkeurig na. Neem contact op met het gemeentebestuur voor meer informatie.

Opmerking: In Vlaanderen: Artikel 9 van het decreet van 30 juni 1993, met een wijziging van 28 februari 2003 van de wet- en regelgeving van de afdeling Monumenten en Landschappen van Vlaanderen, bepaalt het volgende: 'Het is verboden om zonder of in afwijking van een schriftelijke vergunning van de Executieve of haar gemachtigde, detectoren, inzonderheid metaaldetectoren, te gebruiken om archeologische monumenten op te sporen en te verzamelen. De Executieve stelt de vergunningsprocedure vast. Het gebruik van detectoren kan slechts worden vergund in het kader van een toepassing van artikel 6 § 1 vergunde opgraving'. Het melden van archeologische munten en voorwerpen vindt nog plaats via musea en via het 'Provinciaal Gallo-Romaans museum' in Tongeren. Alle meldingen horen ten slotte terecht te komen in de 'Centrale Archeologische Inventaris', afdeling vondstmelding. Dit is een onderdeel van het 'Instituut voor het Archeologisch Patrimonium' Koning Albert II laan 19, bus 5 B-1210 Brussel, België. Aanmelden kan ook via internet.

In Nederland: Hoewel het gericht zoeken en graven naar archeologische voorwerpen in Nederland is verboden, wordt de hobby bijna overal toegestaan, mits men zich aan de normaal geldende regels houdt. Uitgezonderd hiervan zijn een aantal gegevens waarbij men het zoeken door middel van een algemene politieverordening (A.P.V.) heeft verboden (o.a. in Nijmegen en Arnhem). Twee instanties regelen de vondstmeldingen: voor munten en penningen is dat 'Numis' van de 'Stichting Het Geld- en Bankmuseum' Postbus 2407, 3500 GK Utrecht; voor archeologische voorwerpen is dat 'Archis' van het R.O.B. Postbus 1600, 3800 BP Amersfoort. Gemeld dienen te worden: alle schatvondsten, gouden en zilveren voorwerpen met een kunstzinnige of archeologische waarde en munten en voorwerpen van vóór 1600.

14. Batterijen

- Vervang de batterijen van zodra de aanduiding voor zwakke batterijen **[8]** oplicht (spanning < 8,8 V).
- Schakel de detector uit door de THRESHOLD-knop **[7]** volledig naar links te draaien tot u een klik hoort.
- De batterijen zijn verdeeld over twee afzonderlijke vakken **[D]** achteraan de controlebox **[C]**.
- Open het batterijvak **[D]** en plaats acht nieuwe AA-batterijen van 1,5 V (niet meegeleverd) volgens de polariteitaanduidingen. Gebruik geen oude en nieuwe batterijen door elkaar.
- Sluit het batterijvak.



LET OP: Doorboor geen batterijen en gooi ze nooit in het vuur. Herlaad geen alkalinebatterijen. Houd batterijen buiten het bereik van kinderen.

15. Technische specificaties

discriminatie	selectiviteit, toon
frequentie	6,5 KHz
gevoeligheid	20 cm voor een muntstuk van € 2 (Ø 25 mm), in 'all metal'-modus en onder ideale omstandigheden
aanduiding zwakke batterij	rode led indien < 8,8 V
signaaluitgang	luidspreker of 3,5 mm-aansluiting voor hoofdtelefoon
display	2.5" analoge meter
voeding	8x 1,5 V AA-batterij (LR6C, niet meegelev.)
afmetingen	
lengte	112 ~ 144 cm
zoekschotel	Ø 21,5 cm
gewicht	1.260 g

Gebruik dit toestel enkel met originele accessoires. Velleman Components nv is niet aansprakelijk voor schade of kwetsuren bij (verkeerd) gebruik van dit toestel. Voor meer informatie over dit product, zie www.velleman.eu. De informatie in deze handleiding kan te allen tijde worden gewijzigd zonder voorafgaande kennisgeving.

© AUTEURSRECHT

Velleman Components nv heeft het auteursrecht voor deze handleiding.

Alle wereldwijde rechten voorbehouden. Het is niet toegestaan om deze handleiding of gedeelten ervan over te nemen, te kopiëren, te vertalen, te bewerken en op te slaan op een elektronisch medium zonder voorafgaande schriftelijke toestemming van de rechthebbende.

NOTICE D'EMPLOI

1. Introduction

Aux résidents de l'Union européenne

Des informations environnementales importantes concernant ce produit



Ce symbole sur l'appareil ou l'emballage indique que l'élimination d'un appareil en fin de vie peut polluer l'environnement. Ne pas jeter un appareil électrique ou électronique (et des piles éventuelles) parmi les déchets municipaux non sujets au tri sélectif ; une déchèterie traitera l'appareil en question. Renvoyer les équipements usagés à votre fournisseur ou à un service de recyclage local. Il convient de respecter la réglementation locale relative à la protection de l'environnement.

En cas de questions, contacter les autorités locales pour élimination.

Nous vous remercions de votre achat ! Lire la présente notice attentivement avant la mise en service de l'appareil. Si l'appareil a été endommagé pendant le transport, ne pas l'installer et consulter votre revendeur.

2. Consignes de sécurité



Garder le détecteur hors de la portée des enfants et des personnes non autorisées.



Attention : L'utilisation d'un casque d'écoute dans un endroit public peut être dangereuse. Veiller à être attentif au trafic et aux signaux d'avertissements.



NE JAMAIS TOUCHER NI MUNITION NI AUTRES OBJETS POTENTIELLEMENT DANGEREUX. Marquer soigneusement l'endroit de découverte et notifier la police au plus vite.

3. Directives générales

Se référer à la **garantie de service et de qualité Velleman®** en fin de notice.

- Protéger le thermomètre contre les chocs et le traiter avec circonspection pendant l'installation et l'opération.
- Tenir le thermomètre à l'écart de la poussière, l'humidité et des températures extrêmes.
- Se familiariser avec le fonctionnement de l'appareil avant de l'utiliser.
- Toute modification de l'appareil est interdite pour des raisons de sécurité.
- N'utiliser le thermomètre qu'à sa fonction prévue. Tout autre usage peut causer des courts-circuits, des brûlures, des électrochocs, etc. Un usage impropre annule d'office la garantie.
- La garantie ne s'applique pas aux dommages survenus en négligeant certaines directives de cette notice et votre revendeur déclinera toute responsabilité pour les problèmes et les défauts qui en résultent.
- Les dommages occasionnés par des modifications à l'appareil par le client ne tombent pas sous la garantie.
- La garantie ne s'applique pas en cas de dommages occasionnés par un usage en milieu salé.
- Respecter les lois et la réglementation en vigueur.
- Retirer les piles du détecteur s'il n'est pas utilisé. L'acide des piles peut endommager le circuit intérieur.

4. Caractéristiques

- DISC/TONE : discrimination entre différents types de métaux
- GND BALL : ajustement des conditions du sol
- VOL : réglage du niveau de volume
- TRACE : réinitialisation des paramètres
- SENS : réglage de sensibilité
- TRESHOLD : réglage de puissance du signal
- tige à longueur réglable
- indicateur de cible
- interrupteur marche/arrêt
- tête de détection résistante à l'eau
- détection de tous les métaux en mode ALL METAL

5. Description

Consulter les illustrations à la page 2 de cette notice.

détecteur de métaux	G	canne supérieure	
A	repose-bras	H	câble
B	poignée	I	bouton à ressort
C	boîtier électronique	J	verrouillage
D	compartiment des piles	K	canne inférieure
E	indicateur de cible	L	écrou
F	prise d'entrée 5 broches	M	tête de détection

boîte de commande + indicateur de cible

1	DISC/TONE	réglage de discrimination : filtrage des types de métal remarque : ce réglage influence la sensibilité
2	GND BAL	compensateur d'effets de sol : permet l'équilibrage électronique pour la neutralisation des effets de minéralisation
3	VOL	bouton de volume : réglage du volume du haut-parleur ou du casque
4	TRACE	réinitialisation des paramètres
5	PHONE	prise d'entrée pour casque d'écoute (non inclus)
6	SENS	réglage de sensibilité : conditionne la profondeur de détection
7	THRESHOLD	réglage de seuil : permet de prendre pour seuil le niveau capté au moment où l'on règle le détecteur
8	LOW BAT	indication de pile faible : s'allume lorsque la tension des piles est inférieure à 8,8 V
9	DISC - TONE	sélecteur de mode de discrimination : en mode DISC, le type de métal est indiqué par la longueur de la tonalité ; en mode TONE, le type de métal est indiqué par la hauteur de la tonalité
10	mètre analogique	l'aiguille indique l'intensité du signal (en mode ALL METAL) ou le type de métal (en mode DISC)

6. Fonctionnement

- Un détecteur de métaux (basse fréquence) se compose principalement d'un émetteur, d'un récepteur et d'un microprocesseur qui transforme les signaux captés en un signal sonore.

L'émetteur

- L'émetteur est une bobine à l'intérieur de la tête de détection. En envoyant un courant alternatif dans la bobine, on génère un champ magnétique à polarité de ou vers le sol. Ce champ magnétique induit un courant à l'intérieur d'un objet métallique. L'objet en question créera un champ inversement polarisé à celui de l'émetteur.

Le récepteur

- Le récepteur est une deuxième bobine à l'intérieur de la tête de détection qui est construit de façon à ce que le champ magnétique de l'émetteur n'y induit aucun courant. Toutefois, le champ magnétique d'un objet métallique engendra un courant électrique dans le récepteur.

Décalage de phase

- Le signal reçu par le récepteur aura généralement un retard par rapport au signal transmis à cause de la tendance des conducteurs à empêcher des changements de flux de courant, phénomène que l'on appelle l'inductance propre. Ce retard est désigné par le terme **décalage de phase**. Les objets métalliques à inductance primaire, comme les objets constitués de matériaux conducteurs (or, argent, cuivre...), afficheront un décalage de phase important. En revanche, objets métalliques à résistance primaire, comme les petits objets constitués de matériaux moins conducteurs, afficheront un décalage de phase moins important. Se référer à la table ci-dessous pour un aperçu de la conductivité des différents matériaux.

Matériau	Conductivité électrique (S/m)	Matériau	Conductivité électrique (S/m)
argent	$63,01 \times 10^6$	nickel	$14,3 \times 10^6$
civre	$59,6 \times 10^6$	fer	$9,93 \times 10^6$
or	$45,2 \times 10^6$	platine	$9,66 \times 10^6$
aluminium	$37,8 \times 10^6$	étain	$9,17 \times 10^6$
calcium	$29,8 \times 10^6$	eau salée	4,788
zinc	$16,6 \times 10^6$	eau douce	0,0005 ~ 0,05

- La taille, la forme et la profondeur d'ensevelissement sont des facteurs d'importance pour la détection de l'objet.

Ferromagnétisme

- Les matériaux peu ou non conducteurs peuvent se magnétiser lorsqu'ils se trouvent dans un champ magnétique, résultant en un puissant signal qui pourra être capté par le détecteur de métaux. Ce signal n'affichera cependant qu'un faible déplacement de phase. Les sols ferrugineux présentent des caractéristiques ferromagnétiques.

Discrimination

- Chaque type de métal possède ses propres caractéristiques de décalage de phase. Grâce à ses différences il est possible de distinguer les différents types de métal. Ce processus est appelé **discrimination**.

Balance des effets de sol

- Comme décrit précédemment, les sols ferrugineux afficheront un signal plus fort que le signal de l'objet métallique enseveli. Ceci se produit également avec des sols contenant des nappes d'eau fortement salée.
- Heureusement, le décalage de phase du signal dû aux effets de sol reste à peu près constant sur une zone de terrain donné du moment qu'on tient la tête de détection à une hauteur constante.
- Avec un traitement électronique approprié sur ce décalage de phase, il est possible de localiser la cible avec précision. La compensation des effets de sol est un élément primordial en mode ALL METAL.

7. Préparation

- Assembler le détecteur.
- Monter la tête de détection **[M]** sur la canne inférieure **[K]**. Insérer le boulon dans les trous et serrer le boulon **[L]** sans surserrer.
- Faire glisser la canne supérieure **[G]** dans la poignée **[B]**. Tourner la canne supérieure **[G]** jusqu'à ce que les boutons à ressort se clipsent.
- Aligner les boutons à ressort **[I]** de la canne inférieure **[K]** aux trous dans la canne supérieure **[G]**. Faire glisser la canne inférieure **[K]** dans la canne supérieure **[G]**.
- Déterminer la longueur idéale en tenant le détecteur par la poignée **[B]** tout en posant votre bras sur le repose-bras **[A]**. Maintenir le bras relaxé le long du corps de manière à ce que la tête de détection **[M]** flotte à environ 5 cm du sol. Régler la longueur en enfonçant les boutons **[I]** et en adaptant la canne inférieure **[K]**.
- Verrouiller **[J]** la canne inférieure.
- Desserrer la tête de détection et l'ajuster **[M]** de manière qu'elle soit parallèle au sol. Resserrer.
- Enrouler le câble **[H]** sans serrer autour de la canne. Insérer délicatement la fiche dans la prise d'entrée **[F]**.
- Insérer les piles (voir §14).

8. Emploi

- Il est conseillé de tester le détecteur avant sa première utilisation. Le test se fait de préférence avec différents objets métalliques, p.ex. pièces de monnaie, bague en or, cuiller en argent...
 - Retirer bagues et bijoux. Effectuer le test en plaçant le détecteur sur un sol en bois ou une table en plastique, la tête de détection **[M]** pointée vers le plafond. Passer lentement l'objet métallique devant la tête en le tenant dans différents angles afin d'entendre les différents signaux de détection. Le volume augmente est porté vers le centre de la tête. En éloignant l'objet, le volume diminue.

Remarque : Il est préférable de ne pas tester le détecteur sur le sol à l'intérieur d'un immeuble. Une majorité des immeubles à une structure en béton armé, l'armature métallique pouvant masquer le signal émis par l'objet à tester.

La tête de détection ne fonctionne pas lorsqu'elle n'est pas balayée. Il est donc important de passer l'objet devant la tête.

Vérifier l'état des piles et la connexion de la tête de détection lorsqu'aucun signal n'est émis.

- Un test à l'extérieur est également très utile et vous aidera à apprendre l'influence des effets de sol. Placer l'objet métallique sur le sol et passer lentement la tête de détection [M] à l'aplomb de l'objet.

Remarque : Le détecteur émet un puissant signal lorsqu'il détecte un objet en métal précieux.

S'il n'émet aucun son en passant la tête de détection sur l'objet, l'objet n'aura probablement aucune valeur.

Les faux signaux peuvent être causés par un sol fortement minéralisé, une interférence électrique ou de la ferraille de grande taille. Ces signaux sont généralement de très courte durée et ne sont pas répétés.

- Allumer le détecteur en tournant le bouton THRESHOLD [7] vers la droite. L'éteindre en tournant ce même bouton entièrement vers la gauche.
- Si nécessaire, connecter un casque d'écoute (non inclus) à la prise d'entrée 3,5 mm [5]. Utiliser de préférence un casque avec réglage de volume, le détecteur n'ayant que deux réglages (normal et low).
- Régler le volume du détecteur avec le bouton de volume [3].
- Remplacer les piles dès l'affichage de l'indication de pile faible [8].

Mode ALL METAL

- Tourner le bouton DISC/TONE [1] entièrement vers la gauche, et le bouton SENS [6] au milieu (une sensibilité trop élevée en mode ALL METAL engendra des signaux complexes).
- Maintenir la tête de détection [M] à une hauteur de ± 1 m du sol. Maintenir enfoncé le bouton TRACE [4] en tournant le bouton GND BAL [2] vers la zone P. Relâcher le bouton TRACE [4].
- Maintenir la tête de détection [M] à une hauteur de 5 cm du sol. Diminuer la compensation d'effet de sol [2] lorsque l'aiguille du mètre [10] pointe vers la droite (signal sonore aigu) ; l'augmenter lorsque l'aiguille du mètre [10] pointe vers la gauche (signal sonore bas).

Remarque : Il est indispensable d'enfoncer le bouton TRACE après chaque compensation d'effets de sol [2] afin de valider le nouveau réglage. Enfoncer le bouton TRACE [4] dès que les conditions du sol se modifient, p.ex. en passant d'un sol sec à un sol humide.

- Diminuer la sensibilité [6] et le réglage de seuil [7], et maintenir la tête plus haut du sol lors d'une prospection sur terrain fortement minéralisé.

Mode DISC

- Dès le signalement d'un objet, placer le sélecteur DISC - TONE [9] sur DISC et augmenter le réglage de discrimination [1]. Plus on augmente la discrimination, plus le détecteur filtra les types de métal. Se reporter au paragraphe §6 Fonctionnement - Décalage de phase pour plus d'information.
- Sans discrimination [1], tous les types de métal émettront un signal sonore prolongé. Lorsque l'on augmente la discrimination, les métaux non désirés émettront un signal plus court que les métaux acceptés.

Mode TONE

- Placer le sélecteur DISC - TONE [9] sur TONE afin d'obtenir un signal sonore selon le type de métal détecté. Un métal à faible résistance, comme l'argent, émettra un signal aigu, tandis que un métal à résistance plus élevée, comme le cuivre, émettra un signal plus grave.
- Sans discrimination [1], tous les types de métal émettront un signal sonore prolongé. Lorsque l'on augmente la discrimination, les métaux non désirés émettront un signal plus grave que les métaux acceptés.

9. Astuces

- La chasse aux trésors est un passe-temps profitable et reconnaissant, à condition de l'aborder d'une manière patiente et dédiée. Le temps passé en déterminant un bon terrain de recherche, peut être du temps perdu si la recherche se fait trop à la hâte. Afin d'obtenir un résultat maximal, il est conseillé de déterminer d'avance quelle stratégie utiliser pour chaque terrain.
- Votre tactique dépendra du type de terrain – l'examen approfondi d'un terrain plus petit rapportera souvent plus que la prospection au petit bonheur d'un terrain plus vaste. Si un terrain est cependant trop éloigné pour y retourner plusieurs fois, il est préférable d'adopter une stratégie couvrant le terrain en entier, mais permettant des recherches en détail.
- Une trouvaille entraîne souvent d'autres trouvailles sur le même terrain. Par conséquent, des terrains où propices aux signaux vont agrandir vos chances de trouver des objets.
- Alors, comment chercher en détail ? Délimiter des bandes d'une largeur égalisant la portée de vos balayages avec le détecteur. Dans ces bandes, avancer à la vitesse du diamètre de la tête de

détection par balayage. Ainsi, tout le terrain sera divisé en bandes, et aucun endroit ne sera oublié. Des bâtons et de la corde sont idéals pour le démarquage des bandes, mais souvent, des alignements naturels comme des arbres, des pierres et des plantes peuvent être aussi utiles.

- Pendant la prospection, veiller à ce que la tête de détection soit tenue aussi près du sol que possible. Ainsi, le détecteur pénétrera jusqu'à la profondeur maximale. Le détecteur ayant une portée limitée, l'utilisation du détecteur à une hauteur trop élevée réduira le champ de détection effectif de votre recherche.
- Essayer de travailler aussi proprement que possible en déterrants l'objet. Personne n'aime voir un trottoir ou un terrain avec des fosses à cause de creusements négligents – même de petits trous peuvent être dangereux, car ils peuvent être cause de chutes.
- Utiliser un déplantoir ou une truelle émoussée pour déplanter une motte de gazon, et enlever la motte avec autant de terre que possible. Vérifier d'abord si l'objet détecté se trouve dans la motte avant de la démêler. Ne pas utiliser d'outils aigus (couteau) car une éraflure sur une pièce de monnaie peut considérablement diminuer sa valeur.
- Après le déterrement, remettre aussi proprement que possible la terre et la motte éventuelle.
- Dernier tuyau utile : ramasser tout papier d'argent et ferraille apparents. En abandonnant des déchets, il y a une bonne chance de les détecter lors d'une prochaine visite !

10. Information utile

Astuces pour la détection

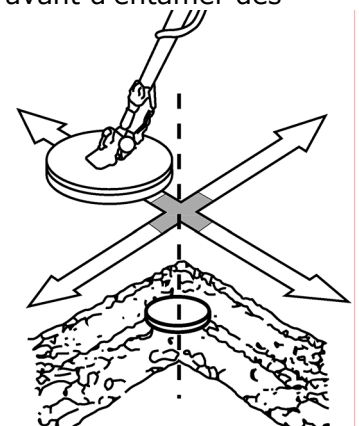
- Aucun détecteur n'est sûr à 100 %. Différentes situations influencent la détection de métaux. La réaction du détecteur dépend d'un nombre de facteurs :
 - l'angle de l'objet enseveli
 - la profondeur de l'objet enseveli
 - la quantité de fer dans l'objet enseveli
 - la taille de l'objet enseveli.

Quelques trucs et astuces

- Ne pas balayer la tête de détection comme une pendule et éviter de la soulever pendant ou à la fin d'un balayage afin de ne pas obtenir de fausses indications.
- Ne pas balayer trop vite afin d'éviter de manquer des objets.
- Le mouvement idéal de la tête de détection est un mouvement latéral et en ligne droite, en maintenant la même distance du sol.
- Le détecteur ronflera lorsqu'il détecte des objets métalliques. Si le ronflement ne se répète pas après plusieurs passages au-dessus du même point, l'objet ou le métal sera probablement sans valeur.
- Un sol contaminé, de l'interférence électrique ou la présence de ferraille peuvent causer de faux signaux.
- Des signaux fautifs sont souvent irréguliers ou non reproductibles.

Localisation de la cible

- La localisation précise d'une cible facilite le creusage.
- La localisation précise requiert de l'entraînement, nous vous suggérons de vous entraîner à rechercher et à déterrer de petits objets métalliques vous appartenant avant d'entamer des recherches en d'autres endroits.
- Certaines cibles sont difficiles à localiser avec précision en raison de la direction du balayage. Essayer de changer la direction du balayage pour localiser une cible.
- Suivre la procédure ci-dessous pour localiser une cible.
 - Lorsque le détecteur détecte une cible enterrée, poursuivre le balayage au moyen de la tête de détection au-dessus de la cible suivant un mouvement latéral rétrécissant.
 - Noter visuellement l'endroit exact du terrain où le détecteur émet un signal sonore.
 - Arrêter la tête de détection directement au-dessus de cet endroit. L'éloigner de vous vers l'avant, puis la ramener vers vous et répéter ce mouvement un certain nombre de fois.
 - Noter visuellement l'endroit exact du terrain où le détecteur émet un signal sonore.
 - Répétez les points 1 à 3 à angle droit par rapport à la ligne de recherche initiale, en formant un X. La cible se situera directement sous le X au point où la réponse est la plus forte.



Remarque

- Si la zone recherchée comporte un nombre de déchets tel à obtenir des signaux erronés, effectuer un balayage plus lent et plus court.
- Il se peut que les pièces enterrées récemment ne produisent pas la même réponse que celles enterrées depuis longtemps en raison du phénomène d'oxydation.
- Certains clous, écrous, boulons et autres objets en fer (comme les anciennes capsules de bouteilles) s'oxydent et créent un effet « halo ». Un effet halo est provoqué par un mélange d'éléments naturels présents dans le sol et l'oxydation causée par différents métaux. En raison de ces mélanges de métaux, les signaux cibles peuvent ne pas avoir une position « fixe ». Cet effet rend ces objets très difficiles à détecter avec précision.

Gamme de détection

- Plusieurs facteurs influencent la gamme de détection : les dimensions de l'objet-cible, la période pendant laquelle l'objet a été enterré et la composition du sous-sol. On obtient les meilleurs résultats dans un sous-sol sec et compact, permettant de localiser des pièces à une grande profondeur. Ceci s'applique en particulier aux pièces qui ont agi avec les sels dans le sous-sol, qui font que les objets-cibles apparaissent plus grands pour le détecteur. Un sous-sol remué récemment et un objet perdu il y a peu de temps présentent de grands obstacles. Quarante-vingt-dix pour cent des objets sont trouvés à moins de 15 cm de profondeur. Un mauvais sous-sol est capable de limiter la gamme de détection à 50 % de la gamme normale.

Détermination de la profondeur et les dimensions de l'objet-cible

- Un utilisateur expérimenté se fait déjà une idée des dimensions, de la profondeur et de la forme de l'objet-cible. La nature du signal sonore est un fil conducteur important dans cette matière : essayer toujours de déceler les caractéristiques spécifiques du signal sonore. Marquer la zone dans laquelle le détecteur émet un signal et se mettre à creuser. Essayer de découvrir l'acuité ou la manque de sonorité du signal et déterminer son intensité. Une pièce de monnaie engendre un signal aigu tandis que le signal accompagnant la découverte d'un clou est plutôt vague.

Les piles

- Toujours se munir d'un jeu de piles fraîches lors d'une mission de prospection.
- L'utilisation d'un casque d'écoute prolongera l'autonomie des piles.

11. Entretien et stockage

- Un manque d'entretien ou une utilisation brutale affecteront la durée de vie de votre détecteur de métaux. Après chaque usage dans un environnement hostile (de l'eau salée, du sable, etc.), essuyer le boîtier avec un chiffon humide et ensuite le sécher avec un chiffon sec.
- Il est interdit de nettoyer votre détecteur avec des solvants ou des détergents.
- La tête de détection étanche peut être immergée dans de l'eau douce ou salée. Veiller cependant à ce que le boîtier électronique reste sec. Rincer la tête avec de l'eau douce après l'avoir immergée dans de l'eau salée afin d'éviter la corrosion des pièces métalliques.

Les risques de l'air salé

- L'air salé peut pénétrer la boîte électronique lors d'une utilisation répétée dans un environnement salé. Dans ce cas, les composants électroniques sont vulnérables à la corrosion. Protéger la boîte électronique avec du polythène. Les dommages subis à cause d'un emploi dans un environnement salé ne tombent pas sous la garantie.

Stockage

- Stocker le détecteur dans un endroit sec et chaud.
- Retirer les piles lorsque le détecteur n'est pas utilisé. Les piles pourraient couler.

12. Problèmes et solutions

- Lire ce paragraphe avant de porter le détecteur à réparer.
- En cas de problème, contrôler d'abord l'état des piles et les remplacer si nécessaire.

Signal fluctuant

- D'habitude, la fluctuation est causée par des sources externes, p.ex. tubes fluorescents, taxis, radios, câbles et la proximité d'autres détecteurs de métaux. Ce genre de problèmes est impossible à éviter.

Le haut-parleur émet un son intermittent

- Il y a plusieurs causes possibles :
 - Mauvaise connexion des piles. Vérifier si les piles sont bien connectées.
 - Une transmission radio d'un taxi passant ou d'un autre véhicule avec un poste émetteur.
 - Le haut-parleur s'est détaché. Demander à votre détaillant de le fixer.

Le détecteur est dérégulé

- Des variations de température peuvent influencer le détecteur de métaux, p.ex. la différence entre la température extérieure et la température de son lieu de stockage. Attendre jusqu'à ce que l'appareil se soit acclimaté. En cas d'une différence de température prononcée, cette acclimatation peut prendre jusqu'à une demi-heure.
- Les piles peuvent parfois influencer le signal. Les remplacer si nécessaire.

13. Code de conduite

- Les prospecteurs n'ont pas accès aux sites archéologiques et il est interdit d'endommager des monuments historiques. Ne pas hésiter à joindre la société archéologique locale si l'histoire vous intéresse.
- Ne jamais laisser le sol prospecté en mauvais état. Couper un triangle à l'aide d'une truelle ou d'un couteau, enlever l'objet localisé à l'aide de votre détecteur, remplir le trou et replacer soigneusement la motte de gazon.
- Garder votre pays propre. Il est interdit de jeter bouchons, bouts de papier d'argent et boîtes dans la nature. Les déposer dans la première poubelle sur votre chemin. Ramasser des bouts de fer rouillé avec précaution et les porter vers un service de recyclage local.
- Il est proscrit de s'aventurer dans un domaine privé sans la permission du propriétaire.
- Avertir le musée local ou les autorités locales en cas d'une découverte historique et demander l'assistance d'une équipe d'experts.
- Être extrêmement prudent lors de la découverte de bombes ou de mines non explosées. Ne jamais toucher l'objet en question ! Marquer soigneusement l'endroit de découverte et notifier la gendarmerie ou la police au plus vite.
- Fermer les grilles après avoir traversé des champs. Respecter la végétation et ne pas effrayer les animaux.
- Entretenir des relations courtoises avec les autres utilisateurs. Il y a beaucoup à apprendre de vos collègues expérimentés.

Respecter la législation locale et des textes régissant à l'utilisation d'un détecteur de métaux, et être informé du Code Rural. Contacter les autorités locales pour plus d'information ou visiter le site <http://www.la-detection.com/loi.htm>.

Remarque : Il est formellement interdit de toucher aux sites archéologiques ainsi qu'aux monuments historiques, et de prospecter aux alentours de ceux-ci. Déclarer systématiquement à la Mairie tout objet ayant un intérêt archéologique ou historique.

14. Les piles

- Remplacer les piles dès que l'indicateur de pile faible **[8]** s'affiche (tension des piles est inférieure à < 8,8 V).
- Éteindre le détecteur en tournant le bouton THRESHOLD **[7]** entièrement vers la gauche.
- Les piles sont répartis sur deux compartiments séparés **[D]** à l'arrière du boîtier électronique **[C]**.
- Ouvrir les compartiments **[D]** et y insérer huit nouvelles piles R6 de 1,5 V (non incluses) selon les indications de polarité. Ne jamais utiliser d'anciennes et de nouvelles piles simultanément.
- Refermer les compartiments.



ATTENTION : Ne pas perforer les piles et ne jamais les jeter au feu. Les piles alcalines ne peuvent pas être rechargées. Garder les piles hors de la portée des enfants.

15. Technical specifications

discrimination	sélectivité, tonalité
fréquence	6,5 KHz
sensibilité	20 cm pour une pièce de monnaie de € 2 (Ø 25 mm), en mode ALL METAL et dans des conditions idéales
indication de pile faible	DEL rouge si < 8,8 V
sortie de signal	haut-parleur ou sortie casque d'écoute 3,5 mm
afficheur	mètre analogique 2.5"
alimentation	8 piles R6 de 1,5 V (LR6C, non incl.)
dimensions	
longueur	112 ~ 144 cm
tête de détection	Ø 21,5 cm
poids	1.260 g

N'employer cet appareil qu'avec des accessoires d'origine. SA Velleman Components ne sera aucunement responsable de dommages ou lésions survenus à un usage (incorrect) de cet appareil. Pour plus d'information concernant cet article, visitez notre site web www.velleman.eu. Toutes les informations présentées dans cette notice peuvent être modifiées sans notification préalable.

© DROITS D'AUTEUR

SA Velleman Components est l'ayant droit des droits d'auteur pour cette notice.

Tous droits mondiaux réservés. Toute reproduction, traduction, copie ou diffusion, intégrale ou partielle, du contenu de cette notice par quelque procédé ou sur tout support électronique que se soit est interdite sans l'accord préalable écrit de l'ayant droit.

MANUAL DEL USUARIO

1. Introducción

A los ciudadanos de la Unión Europea

Importantes informaciones sobre el medio ambiente concerniente a este producto



Este símbolo en este aparato o el embalaje indica que, si tira las muestras inservibles, podrían dañar el medio ambiente. No tire este aparato (ni las pilas, si las hubiera) en la basura doméstica; debe ir a una empresa especializada en reciclaje. Devuelva este aparato a su distribuidor o a la unidad de reciclaje local. Respete las leyes locales en relación con el medio ambiente.

Si tiene dudas, contacte con las autoridades locales para residuos.

Gracias por haber comprado el **CS102**! Lea atentamente las instrucciones del manual antes de usarlo. Si el aparato ha sufrido algún daño en el transporte no lo instale y póngase en contacto con su distribuidor. Daños causados por descuido de las instrucciones de seguridad de este manual invalidarán su garantía y su distribuidor no será responsable de ningún daño u otros problemas resultantes.

2. Instrucciones de seguridad



Mantenga el aparato lejos del alcance de personas no capacitadas y niños.



¡Ojo! Utilizar auriculares en un lugar público puede ser peligroso. Asegúrese de que pueda oír el tráfico y todas las señales de aviso.



NUNCA TOQUE NI MUNICIÓN NI OTROS OBJETOS PELIGROSOS.
Marque el lugar claramente y contacte con la policía lo más rápido posible.

3. Normas generales

Véase la **Garantía de servicio y calidad Velleman®** al final de este manual del usuario.

- No agite el aparato. Evite usar excesiva fuerza durante el manejo y la instalación.
- No exponga este aparato a polvo, humedad y temperaturas extremas.
- Familiarícese con el funcionamiento del aparato antes de utilizarlo.
- Por razones de seguridad, las modificaciones no autorizadas del aparato están prohibidas.
- Utilice sólo el aparato para las aplicaciones descritas en este manual a fin de evitar p.ej. cortocircuitos, quemaduras, descargas eléctricas, etc. Un uso desautorizado puede causar daños y anula la garantía completamente.
- Los daños causados por descuido de las instrucciones de seguridad de este manual invalidarán su garantía y su distribuidor no será responsable de ningún daño u otros problemas resultantes.
- Los daños causados por modificaciones no autorizadas, no están cubiertos por la garantía.
- La garantía no se aplica en caso de daños causados por un uso en un ambiente salado.
- Respete las leyes locales en relación con el medio ambiente.
- Saque las pilas del detector de metales si no lo utiliza. El ácido de las pilas puede el circuito interior.

4. Características

- DISC/TONE: discriminación entre diferentes tipos de metal
- GND BALL: ajustar las condiciones del suelo
- VOL: ajustar el volumen
- TRACE: localizar un objeto
- SENS: ajustar la sensibilidad
- TRESHOLD: ajustar la potencia de la señal
- es posible ajustar la longitud de la barra
- indicador del objeto
- interruptor ON/OFF
- cabezal de detección resistente al agua
- en el modo 'all metal' es posible detectar diferentes tipos de metal

5. Descripción

Véase la figura en la página 2 de este manual del usuario.

metal detector		G	barra superior
A	apoyabrazos	H	cable
B	mango	I	botón con resorte
C	caja electrónica	J	bloqueo
D	compartimiento des pilas	K	barra inferior
E	indicador del objeto	L	tuerca
F	entrada de 5 polos	M	cabezal de detección

Caja de control + indicador

1	DISC/TONE	ajuste de discriminación: filtrar entre diferentes tipos de metal nota: este ajuste influye la sensibilidad
2	GND BAL	balance del suelo: excluir los efectos de mineralización
3	VOL	ajuste del volumen: ajustar el volumen del altavoz o de los auriculares
4	TRACE	reinicializar los ajustes
5	PHONE	entrada para auriculares (no incl.)
6	SENS	Ajustar la sensibilidad: ajustar la profundidad de detección
7	THRESHOLD	Ajustar la potencia de la señal
8	LOW BAT	indicación de pila baja: se ilumina si la tensión de pilas es inferior a 8,8V
9	DISC - TONE	selector de modo de discriminación: en el modo DISC, el tipo de metal está indicado por la longitud de la señal acústica; en el modo TONE, el tipo de metal está indicado por la altura de la señal acústica
10	medidor de panel analógico	La aguja indica la intensidad de la señal (en el modo ALL METAL) o el tipo de metal (en el modo DISC)

6. Funcionamiento

- Un detector de metales (baja frecuencia) incluye principalmente un emisor, un receptor y un microprocesador que transforma las señales captadas en una señal sonora.

El emisor

- El emisor es una bobina en el interior del cabezal de detección. Al enviar una corriente alterna por la bobina, genera un campo magnético con una polaridad de o al suelo. Este campo magnético induce una corriente en el interior de un objeto metálico. El objeto en cuestión creará un campo magnético con una polaridad opuesta.

El receptor

- El receptor es una segunda bobina en el interior del cabezal de detección y está construido de tal manera que el campo magnético del emisor no induce ninguna corriente. Sin embargo, el campo magnético de un objeto metálico causará una corriente eléctrica en el receptor.

Desplazamiento de fase

- La señal recibida por el receptor tiene normalmente un retraso con respecto a la señal transmitida porque se produce un cambio del flujo de corriente en los conductores, fenómeno que se llama la inductancia propia. Este retraso está indicado por el término **desplazamiento de fase**. Los objetos metálicos con una inductancia primaria, como los objetos que constan de buenos conductores (oro, plata, cobre, etc.), visualizarán un desplazamiento de fase importante. Los objetos metálicos con una resistencia primaria, como los pequeños objetos que constan de materiales menos conductores, visualizarán un desplazamiento de fase menos importante. Véase la lista a continuación para un resumen de la conductividad de los diferentes materiales.

Material	Conductividad eléctrica (S/m)	Material	Conductividad eléctrica (S/m)
plato	$63,01 \times 10^6$	níquel	$14,3 \times 10^6$
cobre	$59,6 \times 10^6$	hierro	$9,93 \times 10^6$
oro	$45,2 \times 10^6$	platino	$9,66 \times 10^6$
aluminio	$37,8 \times 10^6$	estaño	$9,17 \times 10^6$
calcio	$29,8 \times 10^6$	agua salada	4,788
cinc	$16,6 \times 10^6$	agua dulce	0,0005 ~ 0,05

- La detección de un objeto metálico depende del tamaño, la forma y la profundidad.

Ferromagnetismo

- Malos conductores que se encuentran en un campo magnético, pueden emitir señales magnéticas que pueden ser captadas por el detector de metales. Estas señales sólo visualizarán un débil desplazamiento de fase. Los suelos ferruginosos poseen características ferromagnéticas.

Discriminación

- Cada tipo de metal posee sus propias características de desplazamiento de fase. Gracias a estas diferencias es posible hacer una distinción entre los diferentes tipos de metal. Este procedimiento se llama **discriminación**.

Balance de los efectos del suelo

- Como está descrito anteriormente, los suelos ferruginosos visualizan una señal más fuerte que la señal de un objeto metálico. Este fenómeno se produce también en suelos con mucha agua salada.
- Afortunadamente, estos suelos tienen un desplazamiento de fase muy constante al no mover el cabezal de detección.
- Al ajustar el balance del suelo, es posible localizar el objeto con precisión. Ajuste el balance del suelo en el modo ALL METAL.

7. Preparación

- Monte el detector.
- Monte el cabezal de detección **[M]** en la barra inferior **[K]**. Introduzca el tornillo en los agujeros y apriete la tuerca **[L]**.
- Deslice la barra superior **[G]** en el mango **[B]**. Gire la barra superior **[G]** hasta que los botones con resorte se encajen.
- Alinee los botones con resorte **[I]** de la barra inferior **[K]** con los agujeros de la barra superior **[G]**. Deslice la barra inferior **[K]** en la barra superior **[G]**.
- Determine la longitud ideal al mantener el detector por el mango **[B]** y al poner el brazo en el apoyabrazos **[A]**. Mantenga el brazo relajado al lado del cuerpo y asegúrese de que el cabezal de detección **[M]** se encuentre aproximadamente unos 5cm del suelo. Ajuste la longitud al pulsar los botones **[I]** y al adaptar la barra inferior **[K]**.
- Bloquee **[J]** la barra inferior.
- Desatornille el cabezal de detección y ajústelo **[M]** hasta que el cabezal esté paralelo al suelo. Vuelva a atornillar.
- Enrolle el cable **[H]** alrededor de la barra pero deje bastante espacio entre el cable y la barra para poder mover el cabezal fácilmente. Introduzca el conector cuidadosamente en la entrada de 5 polos **[F]**.
- Introduzca las pilas (véase §14).

8. Funcionamiento

- Somete el detector a prueba antes de usarlo por primera vez. Utilice monedas, anillos, cubierto plateado, etc.
 - Primero, pruebe el detector de metales en el interior. Coloque el detector en una mesa de madera o de plástico. Coloque el cabezal **[M]** de manera que la parte plana del cabezal esté a ras del techo. Quítese cualquier objeto como relojes, anillos etc. Mueva el objeto (como un anillo de oro o una moneda) lentamente encima del cabezal. Manténgalo bajo diferentes ángulos para oír las diferentes señales de detección. Emite la señal más fuerte si el objeto se encuentra en el centro del cabezal.

Nota: Nunca pruebe el detector sobre el suelo dentro de un edificio ya que se usa algún tipo de metal en la mayoría de los edificios. Esto puede causar interferencias con los objetos a prueba o puede cubrir la señal completamente.

Sin movimiento, el cabezal no encontrará nada. Ya que el detector está quieto, mueva el objeto.

Controle las baterías y asegúrese de que el cabezal esté conectado de manera correcta si no emite una señal.

- Pruebe el detector de metales también al aire libre para aprender cómo reacciona a los diferentes tipos de suelo. Ponga un objeto metálico en el suelo y mueva el cabezal **[M]** lentamente de un lado a otro sobre el objeto.

Nota: Al detectar un objeto valioso el nivel de la señal sonora se intensifica. Si al contrario se trata de un objeto sin valor se atenúa la señal, incluso después de haber movido el cabezal varias veces encima del objeto.

Un suelo contaminado, interferencias eléctricas o grandes piezas de metal pueden causar señales falsas. Las reconocerá porque aquellas señales están rotas o no se repiten.

- Active el detector de metales al girar el botón THRESHOLD **[7]** hacia la derecha; desactívelo al girar el botón hacia la izquierda hasta que oiga un clic.
- Si fuera necesario, utilice auriculares (no incluidos) con un conector de 3,5mm. Utilice preferentemente un modelo con ajuste del volumen porque el detector de metales sólo tiene dos ajustes ('normal'- y 'low').
- Ajuste el volumen del detector de metales con el ajuste del volumen **[3]**.
- Reemplace las baterías en cuanto se ilumine el indicador de baterías bajas **[8]**.

Modo ALL METAL

- Gire el botón DISC/TONE **[1]** completamente hacia la izquierda hasta que oiga un clic. Gire el botón SENS **[6]** hasta el centro (una alta sensibilidad en el modo ALL METAL causa señales complejas).
- Mantenga el cabezal **[M]** aproximadamente 1m encima del suelo. Mantenga pulsado el botón TRACE **[4]** y gire simultáneamente el botón GND BAL **[2]** hacia la zona P. Suelte el botón TRACE **[4]**.
- Ahora, mantenga el cabezal **[M]** a una altura de 5cm encima del suelo. Gire el botón GND BAL **[2]** hacia la izquierda si la aguja **[10]** apunta hacia la derecha (señal acústica alta). Gire el botón GND BAL **[2]** hacia la derecha si la aguja **[10]** apunta hacia la izquierda (señal acústica baja).

Nota: Después de cada ajuste del balance del suelo **[2]** pulse el botón TRACE **[4]** para confirmar el nuevo ajuste. Pulse el botón TRACE **[4]** en cuanto se cambien las condiciones del suelo, por ejemplo, al ir de un suelo seco a un suelo húmedo.

- Disminuya el ajuste SENS- **[6]** y el ajuste THRESHOLD **[7]** si buscas en un suelo fuertemente mineralizado. Mantenga el cabezal **[M]** también más alto encima de suelo.

Modo DISC

- Si detecta un objeto metálico, ponga el interruptor DISC/TONE **[9]** en DISC y gire el botón DISC/TONE **[1]** lentamente hacia la derecha. Cuanto más gire el botón hacia la derecha, más se ignorará objetos metálicos. Véase **§6 Funcionamiento – Desplazamiento de fase** para más información.
- Si el botón DISC/TONE **[1]** está en la posición mínima, todos los objetos metálicos detectados emitirán una señal acústica prolongada. Al poner el botón en una posición más elevada los objetos metálicos que se deben ignorar emitirán una señal acústica corta mientras que los objetos valiosos siguen emitiendo una señal acústica prolongada.

Modo TONE

- Ponga el botón DISC/TONE **[9]** en la posición TONE. El detector de metales emite una señal acústica según el tipo de metal detectado. Objetos metálicos con una resistencia baja como plata emiten una señal acústica alta. Objetos metálicos con una resistencia más alta como cobre emiten una señal acústica baja.
- Si el botón DISC/TONE **[1]** está en la posición mínima, todos los objetos metálicos detectados emitirán una señal acústica prolongada. Al poner el botón en una posición más elevada los objetos metálicos que se deben ignorar emitirán una señal acústica baja mientras que los objetos valiosos siguen emitiendo una señal acústica más elevada.

9. La importancia de un uso correcto

- La caza de tesoros puede resultar un pasatiempos realmente rentable y gratificante, si lo haces con paciencia y persistencia. El tiempo dedicado a la localización de un sitio que vale la pena puede ser sinónimo de tiempo perdido si la búsqueda se hace rápidamente y de manera

irregular. Para obtener un máximo de resultados, es importante determinar el lugar de antemano antes de empezar la búsqueda.

- Las tácticas usadas dependen del tipo de lugar – es más rentable explorar sólo pequeñas superficies en vez de hacer una búsqueda fortuita en un lugar extenso. No obstante, si el lugar se encuentra demasiado lejos para efectuar muchas idas y vueltas, haga un plan que le permita detectar la mayor parte del lugar indicando al mismo tiempo las zonas más interesantes para una búsqueda minuciosa.
- Muchas veces, los objetos están agrupados. Por lo tanto, es deseable detectar cuidadosamente el terreno donde Ud. ha encontrado un objeto interesante.
- ¿Cómo obtener un máximo de resultados? Delimite bandas de una anchura igual al rango de sus movimientos con el detector. Avance el cabezal después de cada movimiento aproximadamente dos tercios del diámetro de éste. De esa manera continua buscando lo que permite a cada vez un solapamiento, asegurando que no se olvida nada. Unos piquetes y una cuerda pueden ser útiles para delimitar la zona de búsqueda, pero muchas veces también pueden ser útiles puntos de referencia naturales como árboles, piedras y plantas.
- También es importante mantener el cabezal lo más cerca posible del suelo. Sería ideal que "planchara" el suelo con el cabezal para no perder nada del rango de detección. El rango del detector se limita, y manteniendo el cabezal demasiado alto, Ud. disminuye el rango de detección efectivo de la búsqueda.
- Intente trabajar de la manera más limpia posible al desenterrar objetos. A nadie le gusta una acera o un terreno con hoyos por un desenterramiento negligente – incluso los pequeños hoyos pueden ser peligrosos porque la gente puede tropezar y lesionarse.
- Use una paleta desafilada o un desplantador para quitar una parte de césped. Quite la parte de césped con la mayor cantidad de tierra posible. Primero, verifique si el objeto detectado se encuentra en la parte de césped antes de romperla. No use herramientas afiladas (un cuchillo, etc.) porque una raya en una moneda puede disminuir su valor considerablemente.
- Después del desenterramiento, vuelva a colocar la parte de césped lo mejor posible.
- Último consejo: 'colecciona' todos los papeles de aluminio y chatarra que encuentre ; isi vuelve a tirar, es posible que vuelva a detectarlos!

10. Información útil

Consejos de uso

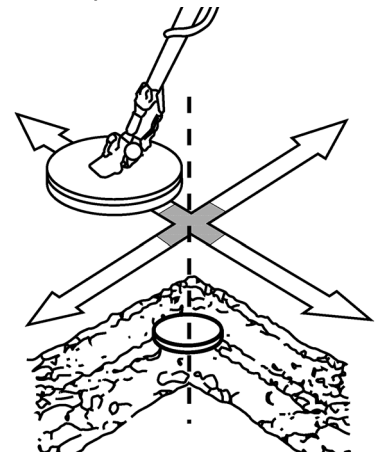
- Ningún detector de metales es 100% preciso. Su reacción depende de muchos factores:
 - El ángulo en el que el objeto se encuentra en el suelo.
 - La profundidad del objeto.
 - La parte de hierro en el objeto.
 - El tamaño del objeto.

Buscar eficazmente

- Nunca use el detector como si fuera un péndulo. Levantar el detector durante el vaivén lateral podría causar interpretaciones falsas.
- Mueva el cabezal lentamente de un lado a otro – ¡No lo haga de prisa! Esto podría hacerle perder objetos.
- El movimiento ideal del cabezal de detección es lateral y en línea recta, manteniéndolo paralelo al suelo.
- El detector emite una señal sonora detectando objetos metálicos. Si se trata de un objeto sin valor se atenúa la señal, incluso después de haber movido el cabezal varias veces encima del objeto.
- Un suelo contaminado, interferencias eléctricas o grandes piezas de metal pueden causar señales falsas.
- Reconocerá las señales falsas porque están rotas o no se repiten.

Localizar el objeto

- Una localización exacta del objeto facilita el desenterramiento.
- Una localización precisa exige alguna práctica. Aconsejamos practicar, buscando y desenterrando pequeños objetos en su propiedad antes de empezar a detectar otros lugares.
- A veces, es difícil localizar el objeto a causa de la dirección del movimiento oscilatorio. Para una localización más precisa, puede intentar cambiar la dirección del movimiento oscilante.
- Siga los siguientes pasos para localizar el objeto.
 - Al detectar un objeto, continúe moviendo el cabezal encima del objeto disminuyendo poco a poco los movimientos



oscilatorios y laterales.

- Marque el lugar exacto donde el detector produzca una señal sonora.
- Pare el cabezal inmediatamente encima del lugar. Mueva el cabezal en un movimiento hacia adelante ida y vuelta. Repita este movimiento algunas veces. Vuelva a marcar el lugar exacto donde se oye la señal sonora.
- Repita los pasos 1 a 3 en un ángulo de 90° con respecto a la dirección de la búsqueda original. Haga una figura en forma de X. El objeto se encuentra directamente debajo de la X donde la señal sonora es lo más intensiva.

Observaciones:

- Si hay muchas señales falsas a causa de la basura, reduzca la velocidad y corte la distancia de los movimientos oscilatorios.
- Monedas recientemente enterradas pueden reaccionar de manera diferente en comparación con monedas enterradas hace mucho tiempo a causa de la oxidación.
- Algunos clavos, tornillos, tuercas y otros objetos de hierro (como tapas de botellas) se oxidan y crean un efecto de "nimbo". Una mezcla de elementos naturales en el suelo y la oxidación de diferentes metales causan el efecto de "nimbo". Por ello, es posible que las señales sonoras no se encuentren en una posición "fija". Este efecto hace muy difícil la localización de este tipo de objetos con precisión.

Rango de detección

- El rango de detección depende del tamaño del objeto, del período durante el que el objeto ha sido enterrado y del tipo de suelo en el que el objeto se encuentra. Los suelos compactos producen los mejores resultados. Puede encontrar monedas a gran profundidad si han sido enterradas hace mucho tiempo. Además, parecen más grandes para el detector a causa de la oxidación. Las peores condiciones de detección son suelos mullidos o removidos. Objetos recientemente enterrados también son difíciles de detectar. En estas condiciones, se reduce el rango de detección. El 90% de todos los artefactos se encuentran a una profundidad de 15 cm. Malas condiciones del terreno pueden disminuir sensiblemente la profundidad de detección de más de 50%.

Determinar la profundidad y el tamaño del objeto

- Un usuario familiarizado con su detector ya sabe determinar el tamaño, la forma y la profundidad del objeto antes de desenterrarlo. Se puede aprender la técnica analizando cuidadosamente las señales del indicador y las señales audio emitidas por el detector : cada vez que suena una señal, escuche si dispone de características particulares. Determine la zona en la que recibe una señal e intente imaginarse la forma del objeto antes de desenterrarlo Marque la zona en la que el detector emite una señal y empieza a desenterrar. Un sonido agudo indica una moneda, una señal para un tornillo es vaga.

Pilas

- Asegúrese de que tenga siempre un juego de pilas de recambio.
- Alargue la autonomía de la pila usando auriculares.

11. Limpieza y almacenamiento

- Manipule el detector de metales con mucho cuidado si no la duración de vida del detector se acorta. Limpie la caja con un paño húmedo y luego, séquela con un paño seco cada vez que ha usado el detector en un ambiente hostil (agua salada, arena, etc.).
- Está prohibido el uso de disolventes o detergentes.
- Entregado con cabezal estanco es sumergible en agua dulce y agua salada. No obstante, asegúrese de que no entre agua en la caja del detector. Limpie el cabezal con agua dulce después de haberlo usado en agua salada para evitar la corrosión de las partes metálicas.

Los riesgos del aire salado

- El aire salado puede entrar en el panel de control si se usa el aparato regularmente en un ambiente salado. Esto puede dañar los componentes electrónicos de su detector. Por esta razón, aconsejamos cubrir el panel de control con polietileno. Los daños causados por contacto con el aire salado invalidarán la garantía.

Almacenamiento

- Guarde el detector de metales en un lugar seco y caliente.
- Quite las pilas si no usa el detector durante cierto tiempo. Los productos de las mismas pueden dañar los componentes electrónicos de su detector.

12. Solución de problemas

- Antes de devolver el aparato para dejarlo reparar, lea el siguiente texto.
- En caso de problemas, controle primero el estado de las pilas y reemplácelas si fuera necesario.

Señal oscilante

- Normalmente, la fluctuación se causa por fuentes externas p.ej. tubos fluorescentes, taxis, radios, cables y la proximidad de otros detectores de metales. Es imposible evitar este tipo de problemas.

Altavoz emite un sonido intermitente

- Hay varias causas posibles :
 - Puede ser que las pilas no hayan sido conectadas correctamente. Asegúrese de que las pilas estén fijadas de manera correcta y segura.
 - Una transmisión radio de un taxi que pasa o de un otro coche con una radio emisora puede causar interferencias.
 - Se ha suelto el altavoz. Pregunte a su distribuidor de fijarlo.

Desarreglo del detector

- variaciones de temperatura ambiente pueden influenciar el detector de metales p.ej. la diferencia entre la temperatura exterior y la temperatura del lugar de almacenamiento. Espere hasta que el aparato se haya climatizado. Cuanto mayor sea el cambio de la temperatura, mayor será el desarreglo del aparato. El tiempo de aclimatación del circuito electrónico puede durar hasta 30 minutos.
- Pilas agotadas pueden perturbar la señal. Cambie las pilas si necesario.

13. Código ético

- No opere en sitios arqueológicos o monumentos antiguos. Si le interesa la historia, acuda a una asociación arqueológica local.
- No revuelva todo. Use una paleta llana afilada o un cuchillo para cortar un círculo o triángulo ordenado; saque el objeto; vuelva a colocar la tierra y la hierba cuidadosamente.
- Mantenga limpio el campo. No tire en ningún caso tapas de botellas, papel de aluminio ni latas de bebidas. Llévase toda la basura que encuentre y tírela en la primera papelera que encuentre. Recoge cuidadosamente hierro oxidado y devuélvalo a la unidad de reciclaje local.
- Siempre pida antes de acceder a cualquier terreno privado.
- Comunique cualquier hallazgo histórico a un museo local o las autoridades locales y pida la ayuda de un experto si descubre un sitio de interés arqueológico.
- Sea extremadamente cuidadoso al descubrir bombas o minas no explotadas. ¡No toque el objeto! Marque el sitio cuidadosamente y acuda inmediatamente a la policía.
- No deje abiertas puertas al atravesar campos. No destruya cultivos ni asuste los animales.
- Si se encuentra con otro usuario de detector, preséntese. Podrían aprender mucho el uno del otro sobre su pasatiempo.
- Respete la legislación local. Contacte las autoridades locales para más información.

Nota: Está prohibido el uso de detectores de metales en yacimientos arqueológicos ni en monumentos históricos. Contacte las autoridades locales para más información.

14. Pilas

- Reemplace las pilas en cuanto se ilumine el indicador de batería baja **[8]** (la tensión de las pilas es inferior a $< 8,8$ V).
- Desactive el detector de metales al girar el botón THRESHOLD **[7]** completamente hacia la izquierda.
- Las pilas están repartidas entre dos compartimientos separados **[D]** de la parte trasera de la caja de control **[C]**.
- Abra los compartimientos **[D]** e introduzca ocho nuevas pilas AA de 1,5 V (no incl.). Respete la polaridad. Nunca utilice pilas usadas y pilas nuevas simultáneamente.
- Vuelva a cerrar los compartimientos.



¡OJO!: No perforo pilas y nunca échelas al fuego. Nunca recargue pilas alcalinas. Mantenga las pilas lejos del alcance de niños.

16. Especificaciones

discriminación	notch (selectividad), tone (señal acústica)
frecuencia	6,5 KHz
sensibilidad	20cm para una moneda de € 2 (Ø 25mm), en el modo 'all metal' y bajo circunstancias ideales
indicador de batería baja	LED rojo si < 8.8V
salida de señal	altavoz o jack para auriculares de 3.5mm
pantalla	medidor de panel analógico de 2.5"
alimentación	8 x pila AA de 1.5V (LR6C, no incl.)
dimensiones	
longitud	112 ~ 144 cm
cabezal	Ø 21,5 cm
peso	1.260 g

Utilice este aparato sólo con los accesorios originales. Velleman NV no será responsable de daños ni lesiones causados por un uso (indebido) de este aparato. Para más información sobre este producto, visite nuestra página web www.velleman.eu. Se pueden modificar las especificaciones y el contenido de este manual sin previo aviso.

© DERECHOS DE AUTOR

Velleman NV dispone de los derechos de autor para este manual del usuario.

Todos los derechos mundiales reservados. Está estrictamente prohibido reproducir, traducir, copiar, editar y guardar este manual del usuario o partes de ello sin previo permiso escrito del derecho habiente.

BEDIENUNGSANLEITUNG

1. Einführung

An alle Einwohner der Europäischen Union

Wichtige Umweltinformationen über dieses Produkt



Dieses Symbol auf dem Produkt oder der Verpackung zeigt an, dass die Entsorgung dieses Produktes nach seinem Lebenszyklus der Umwelt Schaden zufügen kann. Entsorgen Sie die Einheit (oder verwendeten Batterien) nicht als unsortiertes Hausmüll; die Einheit oder verwendeten Batterien müssen von einer spezialisierten Firma zwecks Recycling entsorgt werden. Diese Einheit muss an den Händler oder ein örtliches Recycling-Unternehmen retourniert werden. Respektieren Sie die örtlichen Umweltvorschriften.

Falls Zweifel bestehen, wenden Sie sich für Entsorgungsrichtlinien an Ihre örtliche Behörde.

Wir bedanken uns für den Kauf des **CS102**! Lesen Sie diese Bedienungsanleitung vor Inbetriebnahme sorgfältig durch. Überprüfen Sie, ob Transportschäden vorliegen. Bei Schäden, die durch Nichtbeachtung der Bedienungsanleitung verursacht werden, erlischt der Garantieanspruch. Für daraus resultierende Folgeschäden übernimmt der Hersteller keine Haftung.

2. Sicherheitshinweise



Halten Sie Kinder und Unbefugte vom Gerät fern.



ACHTUNG: Es könnte gefährlich sein, einen Kopfhörer in öffentlichen Orten zu verwenden. Beachten Sie, dass Sie alle Warnsignale und den Verkehr hören können.



BERÜHREN SIE NIE MUNITION ODER ANDERE LEBENSGEFÄHRLICHEN GEGENSTÄNDE. Grenzen Sie den Ort ab – lassen Sie eventuell jemand den Ort bewachen – und warnen Sie sofort die örtliche Behörde.

3. Allgemeine Richtlinien

Siehe **Velleman® Service- und Qualitätsgarantie** am Ende dieser Bedienungsanleitung.

- Vermeiden Sie Erschütterungen. Vermeiden Sie rohe Gewalt während der Installation und Bedienung des Gerätes.
- Schützen Sie das Gerät vor extreme Temperaturen, Staub und Feuchte.
- Nehmen Sie das Gerät erst in Betrieb, nachdem Sie sich mit seinen Funktionen vertraut gemacht haben.
- Eigenmächtige Veränderungen sind aus Sicherheitsgründen verboten.
- Verwenden Sie das Gerät nur für Anwendungen beschrieben in dieser Bedienungsanleitung sonst kann dies zu Schäden am Produkt führen und erlischt der Garantieanspruch.
- Bei Schäden, die durch Nichtbeachtung der Bedienungsanleitung verursacht werden, erlischt der Garantieanspruch. Für daraus resultierende Folgeschäden übernimmt der Hersteller keine Haftung.
- Bei Schäden verursacht durch eigenmächtige Änderungen erlischt der Garantieanspruch.
- Bei Schäden verursacht durch eine salzige Umgebung erlischt der Garantieanspruch.
- Beachten Sie, dass Sie **immer** den örtlichen Umweltvorschriften nachkommen.
- Bei längerem Nichtgebrauch, entfernen Sie die Batterien. Leaking batteries can cause serious damage.

4. Eigenschaften

- DISC/TONE: Diskriminierung zwischen verschiedenen Metalltypen
- GND BALL: die Bodeneigenschaften regeln
- VOL: Lautstärkeregelung
- TRACE: den Gegenstand lokalisieren
- SENS: die Empfindlichkeit einstellen
- TRESHOLD: die Signalstärke einstellen
- einstellbare Stiellänge
- Anzeige der Lokalisierung des Gegenstands
- EIN/AUS-Schalter
- wasserdichte Suchspule
- im All-Metall-Modus können Sie verschiedene Metalltypen detektieren

5. Umschreibung

Siehe Abbildungen, Seite 2 dieser Bedienungsanleitung.

Metalldetektor		G	Oberteil des Stiels
A	Armstütze	H	Kabel
B	Gestänge mit Griff	I	Taste mit Feder
C	Steuergerät	J	Verriegelung
D	Batteriefach	K	Unterteil des Stiels
E	Anzeige des Gegenstands	L	Mutter
F	5-pol. Eingangsanschluss	M	Suchspule

Steuergerät + Anzeige

1	DISC/TONE	Diskriminierung: Metallfilter Bemerkung: diese Einstellung beeinflusst die Empfindlichkeit
2	GND BAL	Balanceregler: Mineralien im Boden ausschließen
3	VOL	Lautstärketaste: die Lautstärke des Kopfhörers oder des Lautsprechers regeln
4	TRACE	die Einstellung rücksetzen
5	PHONE	Anschluss eines externen Kopfhörers (nicht mitgeliefert)
6	SENS	Empfindlichkeitsregelung: Einstellung der Tiefe-Empfindlichkeit
7	THRESHOLD	Regelung des Grundtons
8	LOW BAT	LO-Bat-Anzeige: leuchtet wenn die Batteriespannung < 8,8 V
9	DISC - TONE	Wählschalter Diskriminierungssignal: im DISC-Modus zeigt die Tonlänge den Metalltyp an. Im TONE-Modus zeigt die Tonhöhe den Metalltyp an.
10	das analoge Meter	die Nadel zeigt die Signalstärke (ALL METAL) oder den Metalltyp (DISC) an.

6. Funktionieren

- Ein (niederfrequenter) Metalldetektor besteht hauptsächlich aus einem Sender, einen Empfänger und einen Mikroprozessor, der die Signale verarbeitet.

Der Sender

- Der Sender ist eine Spule innerhalb der Suchspule. Indem Sie einen Wechselstrom durch diese Spule jagen, wird ein magnetisches Feld mit einer Polarität von oder nach dem Boden generiert. Dieses magnetische Feld induziert einen Strom im Metallgegenstand, der auch ein magnetisches Feld mit einer entgegengesetzten Polarität generiert.

Der Empfänger

- Der Empfänger ist eine zweite Spule innerhalb der Suchspule und wurde so gebaut, dass das magnetische Feld der Spule keinen Strom erzeugt. Das magnetische Feld eines Gegenstands wird aber wohl einen elektrischen Strom in der Spule induzieren.

Phasenverschiebung

- In Bezug auf das gesendete Signal wird das empfangene Signal gewöhnlich verzögert. Dies geschieht weil da bei den Leitern eine Änderung vom Stromfluss auftritt, die sogenannte Selbstinduktion. Diese Verzögerung wird mit **Phasenverschiebung** angezeigt. Metallgegenstände mit einer primären Induktion, nämlich große Gegenstände, die aus guten Leitern (Gold, Silber, Kupfer...) bestehen, zeigen einen großen Phasenverschiebung. Metallgegenstände mit einem primären Widerstand, nämlich kleine Gegenstände, die aus schlechten Leitern bestehen, zeigen nur kleinere Phasenverschiebungen. Siehe nachfolgend Liste für einen kurzen Überblick der verschiedenen Materialien und die leitenden Eigenschaften.

Material	Elektrische Leitfähigkeit (S/m)	Material	Elektrische Leitfähigkeit (S/m)
Siber	$63,01 \times 10^6$	Nickel	$14,3 \times 10^6$
Kupfer	$59,6 \times 10^6$	Eisen	$9,93 \times 10^6$
Gold	$45,2 \times 10^6$	Platin	$9,66 \times 10^6$
Aluminium	$37,8 \times 10^6$	Zinn	$9,17 \times 10^6$
Kalzium	$29,8 \times 10^6$	Salzwasser	4,788
Zink	$16,6 \times 10^6$	Süßwasser	0,0005 ~ 0,05

- Die Entdeckung eines Metallgegenstands hängt von der Größe, der Form und der Tiefe ab.

Ferromagnetisme

- Schlechte Leiter, die sich in einem magnetischen Feld befinden, können dennoch magnetische Signale, die vom Metalldetektor gut empfangen werden, senden. Diese Signale zeigen keine oder nur eine kleine Phasenverschiebung. Boden mit Eisenmineralien besitzen diese ferromagnetischen Eigenschaften.

Diskriminierung

- Jede Metallart hat eine eigene Phasenverschiebung. Dank der verschiedenen Phasenverschiebungen kann man die eine Metallart von einer anderen unterscheiden. Das Unterscheiden der Metalle heißt **Diskriminierung**.

Balanceregler

- Wie oben erwähnt, senden eisenhaltige Boden ein Signal, das stärker ist als das Signal, gesendet durch den Metallgegenstand in diesem Boden. Dieses Phänomen findet auch in einem Boden mit viel Salzwasser statt.
- Diese Böden haben aber eine sehr konstante Phasenverschiebung wenn Sie die Suchspule still halten.
- Indem Sie den Balanceregler sorgfältig regeln, können Sie die Lokalisierung und die Tiefe des Gegenstands genau bestimmen. Regeln Sie den Balanceregler im ALL METAL-Modus.

7. Vorbereitung

- Montieren Sie den Metalldetektor. Befestigen Sie die Suchspule **[M]** am unteren Teil des Stiels **[K]**. Stecken Sie den Bolzen durch die Löcher und drehen Sie mit der Mutter **[L]** fest. Drehen Sie die Suchspule nicht zu hart fest.
- Schieben Sie den Oberteil des Stiels **[G]** in den Griff **[B]** und drehen Sie den Stiel **[G]** bis Sie einen Klick hören.
- Beachten Sie, dass die Tasten **[I]** des Unterteils des Stiels **[K]** mit den Löchern des oberen Teils des Stiels **[G]** übereinstimmen. Schieben Sie den unteren Teil des Stiels **[K]** in den Oberteil des Stiels **[G]**.
- Bestimmen Sie die ideale Länge des Metalldetektors. Stehen Sie gerade und halten Sie den Metalldetektor am Griff **[B]** fest sodass der Arm in der Armstütze **[A]** liegt. Lassen Sie die Arme entspannen hängen sodass die Suchspule **[M]** etwa 5cm über dem Boden hängt. Regeln Sie die Länge, indem Sie die Taste **[I]** drücken und den unteren Teil des Stiels **[K]** anpassen.
- Drehen Sie die Verriegelung **[J]** fest und befestigen Sie den unteren Teil.
- Machen Sie die Suchspule **[M]** ein bisschen los und regeln Sie so, dass diese parallel zum Boden steht und befestigen Sie mit der Mutter.
- Wickeln Sie das Kabel **[H]** der Suchspule locker um das Gestänge herum. Stecken Sie den Stecker vorsichtig in den 5-pol. Eingang **[F]**.
- Legen Sie die Batterien ein (siehe §14).

8. Gebrauch

- Probieren Sie den Detektor vor der Inbetriebnahme erst an verschiedenen Metallarten aus (Münzen, Ringe, Silberbesteck, usw.)
 - Probieren Sie den Detektor zuerst im Haus aus. Stellen Sie den Detektor auf einen Holz- oder Plastikstisch. Stellen Sie die Suchspule **[M]** so, dass die flache Seite der Suchspule parallel zur Decke läuft. Entfernen Sie alle möglichen Juwelen, wie Uhren, Ringen usw. Bewegen Sie ein Muster langsam Höhe über die Suchspule hin und her. Halten Sie das Muster unter verschiedenen Winkeln fest und bemerken Sie den Unterschied im akustischen Signal. Das Signal ist am lautesten wenn der Gegenstand sich völlig in der Mitte der Suchspule befindet.

Bemerkung: Überprüfen Sie den Detektor im Haus nie auf den Boden, weil beim Legen eines Fußbodens gewöhnlich Metall verwendet wird. Dies könnte Interferenzen mit den Gegenständen, denen Sie prüfen, verursachen oder das Signal sogar völlig abdecken. Ohne Bewegung wird die Suchspule nichts finden. Sie müssen das Objekt bewegen, da der Detektor in diesem Fall an derselben Stelle stehen bleibt. Überprüfen Sie die Batterien und beachten Sie, dass die Suchspule korrekt angeschlossen ist, wenn Sie kein Signal empfangen.

- Probieren Sie den Detektor nun auch außer Haus, sodass Sie den Einfluss der verschiedenen Bodentypen erfahren. Dies ist eine gute Übung, um den Balanceregler zu regeln. Legen Sie einen Metallgegenstand auf den Boden und bewegen Sie die Suchspule **[M]** langsam über das Objekt hin und her.

Bemerkung: Der Detektor zeigt ein starkes Signal wenn er ein wertvolles Objekt entdeckt.

Ertönt da kein Signal, auch wenn Sie die Suchspule schon viele Male über den Fund hin und her bewegt haben, so ist er wahrscheinlich wertlos.

Verschmutzter Boden, elektrische Interferenzen oder große, grobe Abfallstücke können Fehlsignale auslösen. Diese Signale erkennen Sie meistens als gebrochene oder nicht reproduzierbare Signale.

- Schalten Sie den Metalldetektor ein, indem Sie die THRESHOLD-Taste **[7]** nach rechts drehen; schalten Sie ihn aus, indem Sie die Taste nach links drehen bis Sie einen Klick hören.
- Verwenden Sie, wenn nötig, einen Kopfhörer (nicht mitgeliefert) mit einem Stecker von 3,5mm. Verwenden Sie vorzugsweise ein Modell mit einstellbarer Lautstärke, da der Detektor nur eine 'Normal'- und eine 'Low'-Position hat.
- Stellen Sie die Lautstärke des Detektors mit der Lautstärketaste **[3]** ein.
- Ersetzen Sie die Batterien sobald die Lo-Bat-Anzeige **[8]** leuchtet.

ALL METAL-Modus

- Drehen Sie die DISC/TONE-Taste **[1]** völlig nach links bis Sie einen Klick hören. Drehen Sie die SENS-Taste **[6]** bis in die Mitte (eine hohe Empfindlichkeit im ALL METAL-Modus verursacht komplexe Signale).
- Halten Sie die Suchspule **[M]** etwa 1 m über dem Boden. Halten Sie die TRACE-Taste **[4]** gedrückt und drehen Sie gleichzeitig die GND BAL-Taste **[2]** in Richtung der P-Zone. Lassen Sie die TRACE-Taste **[4]** los.
- Halten Sie die Suchspule **[M]** nun 5 cm über dem Boden. Drehen Sie die GND BAL-Taste **[2]** nach links wenn die Nadel des Meters **[10]** nach rechts zeigt (hoher Ton). Drehen Sie die GND BAL-Taste **[2]** nach rechts wenn die Nadel des Meters **[10]** nach links zeigt (niedriger Ton).

Bemerkung: Drücken Sie nach jeder Regelung des Balancereglers **[2]** auf die TRACE-Taste **[4]** um die neue Einstellung zu bestätigen. Drücken Sie die TRACE-Taste **[4]** sobald die Umstände sich von den Einstellungen unterscheiden, z.B. wenn Sie von einem trockenen Boden nach einem feuchten Boden gehen.

- Halten Sie die SENS- **[6]** und die THRESHOLD-Einstellung **[7]** niedrig wenn Sie in einem sehr mineralisierten Boden suchen. Halten Sie auch die Suchspule **[M]** etwas höher über dem Boden.

DISC-Modus

- Wenn Sie einen Metallgegenstand entdecken, stellen Sie die DISC/TONE-Taste **[9]** auf DISC und drehen Sie die DISC/TONE-Taste **[1]** langsam nach rechts (weg von ALL METAL). Je mehr Sie die Taste nach rechts drehen, umso mehr Metallgegenstände werden ignoriert. Siehe **§6 Funktionieren – Phasenverschiebung** für mehr Informationen.
- Wenn die DISC/TONE-Taste **[1]** auf der Mindestposition steht, erzeugen alle entdeckten Metallgegenstände einen langen Ton. Auf einer höheren Einstellung erzeugen die Metallgegenstände, die Sie ignorieren möchten, einen kurzen Ton. Wertvolle Objekte erzeugen nach wie vor einen langen Ton.

TONE-Modus

- Stellen Sie die DISC/TONE-Taste **[9]** auf TONE. Der Detektor erzeugt einen Ton gemäß dem entdeckten Metalltyp. Metall mit einem niedrigen Widerstand wie z.B. Silber erzeugt einen hohen Ton; Metall mit einem höheren Widerstand wie z.B. Kupfer erzeugt einen niedrigeren Ton.
- Steht die DISC/TONE-Taste **[1]** auf der Mindestposition, erzeugen alle entdeckten Metallgegenstände einen langen Ton. Auf einer höheren Einstellung erzeugen die Metallgegenstände, die Sie ignorieren möchten, einen niedrigen Ton. Wertvolle Objekte erzeugen nach wie vor einen höheren Ton.

9. Hinweise

- Schatzsuche ist ein lukratives und lohnendes Hobby, wenn Sie geduldig und sorgfältig vorgehen. Die aufgewendete Zeit zur Ortung eines geeigneten Suchgebietes kann verlorene Zeit sein wenn die Suche schnell und unregelmäßig ist. Um die besten Ergebnisse zu bekommen, ist es wichtig, dass Sie die Vorgehensweise für jedes spezifische Gebiet im Voraus planen.
- Die Taktik hängt von dem Typ des Suchgebietes ab. Es lohnt sich mehr ein kleineres Gebiet sorgfältig abzusuchen, als im Gesamtgebiet eine planlose Suche auszuführen. Aber wenn das Suchgebiet zu weit entfernt ist um mehrere Male zurückzukehren, dann denken Sie sich am besten eine Strategie aus, mit der Sie eine größtmögliche Bodenfläche absuchen können aber auch gründlich arbeiten können.
- Denken Sie daran, dass wenn ein Fund aufgegraben wird, sich meistens in der unmittelbaren Nähe noch andere befinden können. Dementsprechend bieten Gebiete mit den meisten Markierungspunkten die höchste Wahrscheinlichkeit zum Lokalisieren anderer Fundstücke. Die Detailsuche beruht auf das Markieren von 'Streifen', von der die Breite durch die seitliche Schwungbewegung des Detektors bestimmt wird, und das sorgfältige Absuchen dieser Streifen.

Gliedern Sie das Gebiet in diesen 'Streifen' auf, sodass Sie keine einzige Stelle überschlagen können. Stöcke und Seil sind ausgezeichnete Hilfsmittel um Stücke Land abzugrenzen, aber sehr oft sind natürliche Landmarken wie Bäume, Steine und Pflanzen nach einiger Übung genauso hilfreich.

- Denken Sie während der Suche daran, dass Sie die Suchsonde möglichst dicht am Boden halten. So können Sie in maximaler Tiefe suchen. Es gibt eine beschränkte Eindringtiefe und ein großer Abstand zwischen Boden und Suchsonde reduziert die effektive Tiefe der Suche. Gehen Sie beim Aufgraben ordentlich vor. Keiner mag Fußwege oder Felder mit Löchern wegen unachtsamen Verhaltens - sogar die kleinen Löcher sind gefährlich, denn Leute könnten stolpern und sich verletzen. Verwenden Sie eine stumpfe Kelle um Rasenstücke mit einem Erdklumpen auszustechen. Prüfen Sie, ob der Erdklumpen das Objekt enthält bevor Sie ihn aufbrechen. Verwenden Sie keine scharfen Gegenstände wie (Messer), denn ein Kratzer auf einer Münze kann den Wert beträchtlich senken. Wenn Versetzen Sie nach dem Aufgraben des Fundstücks alles wieder in die ursprüngliche Lage zurück.
- Ein letzter wichtiger Hinweis: sammeln Sie alle Alufolie und Schrott, denn wenn Sie alles wegwerfen, werden Sie es später nochmals detektieren!

10. Interessante Information

Anwendungshinweise

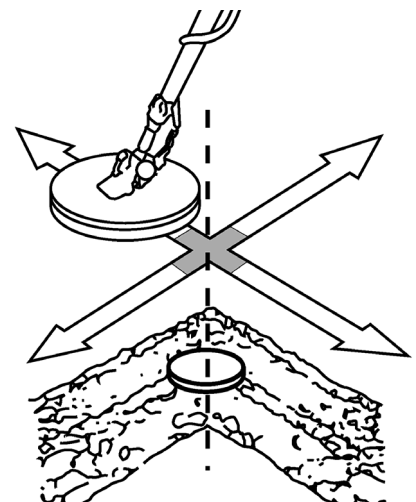
- Kein einziger Metalldetektor ist 100% zuverlässig. Zahlreiche Faktoren können die Reaktionen des Detektors beeinflussen, wie:
 - Der Winkel, in dem das Objekt im Boden liegt.
 - Die Tiefe, in der das Objekt liegt.
 - Der Eisengehalt des Objekts.
 - Die Größe des Objekts.

Hinweise für das Bewegen der Suchspule

- Bewegen Sie die Suchspule nie, als wäre sie ein Pendel. Die Suchspule in einem Schwung oder am Ende hochheben führt zu falschen Messergebnissen.
- Langsam bewegen (schwingen). Wenn Sie zu schnell bewegen können Sie Objekte verfehlen.
- Es ist empfehlenswert, die Suchspule in einer geraden Linie und parallel zu dem Boden hin und her zu schwingen.
- Der Detektor erzeugt ein Audiosignal wenn er wertvolle Objekte detektiert. Wenn sich das Signal nicht wiederholt wenn Sie verschiedene Male über das Objekt bewegen, dann ist das Objekt wahrscheinlich Schrott.
- Falsche Signale können durch verschmutzten Boden, elektrische Störung oder große Stücke Schrott verursacht werden.
- Falsche Signale sind meistens unregelmäßig oder nicht reproduzierbar.

Lokalisierung des Objekts

- Ein Objekt haargenau orten, vereinfacht das Aufgraben wesentlich.
- Eine genaue Punktortung erfordert einige Erfahrung. Diese praktischen Erfahrungen sammeln Sie am Besten durch Objekte in ihrem Garten zu suchen.
- Manchmal erschwert die Schwingbewegung eine genaue Lokalisierung. Ändern Sie die Richtung der Schwingbewegung, um eine genauere Lokalisierung zu bekommen.
- Folgen Sie unterstehenden Schritten:
 - Wenn der Detektor ein Objekt entdeckt, bleiben Sie die Suchspule dann mit immer kleineren, seitlichen Schwingbewegungen über das Objekt bewegen.
 - Markieren Sie die genaue Stelle am Boden.
 - Halten Sie die Suchspule sofort über dieser Stelle. Bewegen Sie die Suchspule anschließend vorwärts von Ihnen weg und kehren Sie dann zurück. Wiederholen Sie dies einige Male. Markieren Sie die genaue Stelle wieder am Boden wo der Detektor ein Signal hören lässt.
 - Wiederholen Sie Schritte 1 bis 3 jetzt in einem Winkel von 90° (in Bezug auf die ursprüngliche Suchrichtung), wodurch Sie ein Muster in Form eines X beschreiben. Das Objekt wird sich unter dem X befinden, dort wo das Signal am lautest klingt.



Bemerkungen:

- Wenn an einem Ort soviel Abfall liegt, dass dadurch Fehlsignale entstehen, müssen Sie die Schwingbewegungen verlangsamen und verkürzen.
- Vor kurzem begrabene Münzen können anders als schon länger begrabene und mehr oxidierte Münzen reagieren.
- Bestimmte Speicher, Schrauben, Bolzen und andere eiserne Gegenstände (wie z.B. alte Flaschendeckel) oxidieren und verursachen ein "Kreislicht"-Effekt. Eine Mischung von natürlichen Bodensstoffen und die Oxidation verschiedener Metalle verursachen diesen Effekt. Durch diese Mischung kann es vorkommen, dass Signale nicht an einem 'festen' Ort erklingen. Dieser Effekt erschwert es dann auch sehr, um solche Gegenstände genau zu lokalisieren

Erfassungsbereich

- Der Erfassungsbereich ist von der Größe des Objektes, dem Zeitpunkt, an dem es vergraben wurde, und der Bodenart, in der es vergraben wurde, abhängig. Kompakte Bodenarten führen zu den besten Ergebnissen. Münzen können auch in großer Tiefe wieder gefunden werden wenn sie schon längere Zeit vergraben sind und den Salzen im Boden ausgesetzt wurden. Hierdurch erscheinen diese Münzen größer für den Detektor. Der schlechteste Boden für die Metallfassung ist lockere oder neulich aufgewühlte Erde. Gegenstände, die noch nicht so lange vergraben wurden, sind ebenfalls schwierig zu orten. 90% aller Kunstgegenstände werden in Tiefen bis etwa 15 cm gefunden. Eine schlechte Bodenart kann der Erfassungsbereich um 50% verringern.

Tiefe und Größe des Gegenstandes bestimmen

- Ein geübter Benutzer, der sein Gerät gut kennt, wird die Abmessungen, die Form und die Tiefe eines Objektes sehr gut bestimmen können, ehe er anfängt, es auszugraben. Diese Technik können Sie sich aneignen, indem Sie das Messgerät und die die Audiosignale des Detektors aufmerksam analysieren. Horchen Sie immer aufmerksam auf die spezifischen Eigenschaften jedes Signals (scharf oder dumpf), lokalisieren Sie die Zone, in der Sie ein Signal empfangen, und versuchen Sie die Konturen zu finden, ehe Sie anfangen, ihn auszugraben. Eine Münze sorgt für ein scharfes Signal. Das Signal eines Nagels ist eher vage.

Batterien

- Beachten Sie, dass Sie immer Ersatzbatterien haben.
- Sie können die Lebensdauer der Batterien verlängern wenn Sie einen verwenden.

11. Reinigung und Wartung

- Eine mangelhafte Wartung oder ein unangepasster und unvorsichtiger Gebrauch beschränkt die Lebensdauer des Metalldetektors. Reinigen Sie das Gehäuse nach Gebrauch in einer 'schädlichen' Umgebung (Salzwasser, Sand usw.) mit einem feuchten Tuch und trocknen Sie es danach ab.
- Reinigen Sie das Gehäuse nie mit Chemikalien oder Lösungsmitteln.
- Die mitgelieferte Suchspule ist wasserdicht und kann in Salz- und Süßwasser untergetaucht werden. Schützen Sie die Bedienungskonsole aber vor Wasser! Spülen Sie die Suchspule nach Gebrauch in Salzwasser mit klarem Wasser. So vermeiden Sie Korrosion der Metallteile.

Beschädigung durch Salz

- Salzige Luft kann in die Steuereinheit gelangen wenn das Gerät oft in einer salzigen Umgebung verwendet wird. Durch diese salzige Luft können die elektrischen Komponenten angegriffen werden. Deshalb raten wir Ihnen, die Steuereinheit mit Polyäthylen abzudecken. Bei Schäden, die durch Kontakt mit salziger Luft verursacht werden, erlischt die Garantie.

Lagerung

- Lagern Sie den Detektor in einem trockenen, nicht warmen Raum.
- Entfernen Sie die Batterien wenn Sie das Gerät längere Zeit nicht verwenden. Die Batterien könnten auslaufen und das Gerät beschädigen.

12. Fehlersuche

- Lesen Sie nachfolgende Punkte ehe Sie den Detektor reparieren lassen. Vielleicht können Sie das Problem selber lösen.
- Überprüfen Sie zuerst die Batterien und ersetzen Sie diese wenn nötig. Beachten Sie, dass alle Kabel korrekt angeschlossen sind.

Oszillierendes Signal

- Dies wird meistens von externen Quellen wie z.B. Leuchtstoffröhren, Taxis, Radios, Stromkabeln und anderen Metalldetektoren, verursacht. Dagegen ist nichts auszurichten.

Unterbrochenes Signal vom Lautsprecher

- Es sind verschiedene Ursachen möglich :
 - Dies kann durch schlecht eingelegte Batterien verursacht werden. Sorgen Sie dafür, dass die Batterien richtig angeschlossen werden.
 - Störungen durch ein Fahrzeug (z.B. Taxi) mit Radiosender.
 - Der Lautsprecher hat sich gelöst. Sorgen Sie dafür, dass Ihr Fachhändler den Lautsprecher wieder festmacht.

Der Detektor fehlt

- Das fehlerhafte Funktionieren kann durch Temperaturschwankungen verursacht werden, wenn das Gerät z.B. aus dem Haus oder dem Auto genommen wird. Je größer die Temperaturschwankungen, desto mehr Fehler auftreten können. Es kann bis 30 Minuten dauern ehe die elektronischen Kreise sich akklimatisiert haben.
- Manchmal wird das Signal schwächer, weil die Batterien leer laufen. Ersetzen Sie die Batterien, so ist das Signal wieder stabil.

13. Verhaltenskodex

- Zerstören Sie keine archäologischen Stätten und beschädigen Sie keine historischen Monumente. Treten Sie dem örtlichen archäologischen Verein bei wenn Sie an Geschichte interessiert sind.
- Lassen Sie keinen Schrott zurück. Verwenden Sie eine Kelle oder ein Messer, um einen schönen Kreis oder ein Dreieck auszuschneiden. Entfernen Sie die Fundsachen und schütten Sie etwaige Gruben wieder zu.
- Helfen Sie, Ihr Land sauber zu halten. Werfen Sie keine Flaschendeckel, Silberpapier und Dosen weg. Tu Ihren Mitmenschen einen Gefallen und werfen Sie diesen Abfall in den ersten Mülleimer, den Sie sehen.
- Betreten Sie kein verbotenes Gelände ohne Zustimmung des Eigentümers. Nehmen Sie rostiges Eisen oder anderen Schrott vorsichtig auf und lassen Sie diese von einer spezialisierten Firma zwecks Recycling entsorgen.
- Benachrichtigen Sie das lokale Museum oder Ihre örtliche Behörde von jedem historischen Fund und bitten Sie einen Sachverständigen um Hilfe wenn Sie zufällig eine Stätte von archäologischer Wichtigkeit finden.
- Seien Sie äußerst vorsichtig wenn Sie nicht explodierte Bomben oder Minen finden. Berühren Sie den Gegenstand nicht! Zeigen Sie den Fundort genau an und melden Sie der lokalen Polizei möglichst schnell den Fund.
- Lassen Sie keine Zäune offen stehen wenn Sie durch die Felder gehen. Beschädigen Sie keine Gewächse und erschrecken Sie die Tiere nicht absichtlich.
- Versuchen Sie ein gutes Verhältnis zu den anderen Benutzern, denen Sie begegnen, aufzubauen. Erfahrene Schatzsucher können Ihnen viel beibringen.
- Respektieren Sie die örtlichen Umweltvorschriften. Wenden Sie sich für mehr Informationen an Ihre örtliche Behörde.

Bemerkung: Machen Sie sich mit den gesetzlichen Bestimmungen ganz allgemein vertraut. In der Bundesrepublik ist das Fundrecht zunächst einmal in den §§ 965 ff. BGB geregelt. Dort finden Sie vor allem Bestimmungen über die Anzeige und die Ablieferung von Funden, den Finderlohn und den Eigentumserwerb an dem Fundgegenstand, wenn sich der bisherige Eigentümer nicht mehr ermitteln lässt. Im Bereich der deutschen Küstengewässer ist die Strandungsordnung vom 17. Mai 1984 zu beachten. Wollen Sie Ihren Detektor mit ins Ausland nehmen, so müssen Sie die dort geltenden Bestimmungen beachten. Erkundigen Sie sich also vorher bei den zuständigen Stellen, wie Botschaften und Konsulaten, was für die Mitnahme Ihres Gerätes und seine Benutzung jeweils gilt.

Beachten Sie weiterhin unbedingt die in allen Ländern der Bundesrepublik Deutschland geltenden Denkmalschutzgesetze! Diese stellen neben baulichen Anlagen auch sonstiges archäologisches Fundgut wie Münzen, Schmuck, Gerät, Waffen unter besonderen Schutz und bestimmen unter Androhung eines Bußgeldes bei Zuwiderhandlungen, dass das gezielte Graben - teilweise auch das Nachforschen - nach solchen Bodendenkmälern durch die zuständige Denkmalbehörde genehmigt werden muss. Denn solche Bodenfunde vermögen dem Archäologen bei einer fachgerechten Ausgrabung, wichtige Auskünfte über das Leben und Wirken des Menschen von der Urgeschichte bis zur Neuzeit zu geben. Dies gilt insbesondere dann, wenn sie Bestandteile eines archäologischen Befundes sind, so z.B. zu den Standspuren eines längst vergangenen Hauses oder zu einer Bestattung gehören. Die Aussagekraft einer solchen Bodenerkunde wird erheblich reduziert, wenn Fund und Befund auseinandergerissen werden: Hat Ihr Detektor ein Metallobjekt geortet, kann es sich z.B. um eine zu einer frühmittelalterlichen Bestattung gehörende Münze handeln. Wenn Sie von Ihnen

ausgegraben wird, zerstören Sie nicht nur den Befund an dieser Stelle und machen eine Aussage zum Totengebrauch zunichte, sondern Sie berauben ihn mit der Münze auch von seiner Datierungsmöglichkeit. Wer eine Genehmigung erteilt, erfahren Sie in den Gemeinde- und Kreisverwaltungen oder bei dem zuständigen Amt für Bodendenkmalpflege. Bedenken Sie, dass fast überall mit archäologischen Funden zu rechnen ist und sich der gesetzliche Schutz nicht nur auf ausgewiesene oder erkennbare Bodendenkmäler oder Fundstellen beschränkt, sondern sich auf alle bekannten wie noch unbekannt archäologischen Objekte bezieht. Die Denkmalschutzgesetze schreiben außerdem vor, dass alle archäologischen Funde - hierbei kann es sich auch um neuzeitliche Objekte handeln -, die durch gezieltes Graben oder die als "Gelegenheitsfunde" bei anderen Bodeneingriffen zutage gefördert werden, zu melden und dem zuständigen Denkmalamt zur wissenschaftlichen Aufnahme vorübergehend zu überlassen sind. Riskieren Sie also keine Strafen, indem Sie weder ohne Genehmigung nach archäologischen Objekten graben, noch die Funde unterschlagen! Dass die Beschäftigung mit der Archäologie auch ohne Grabungen interessant ist, werden Sie erfahren, wenn Sie sich der archäologischen Arbeitsgemeinschaft eines Heimatvereins anschließen.

14. Batterien

- Ersetzen Sie die Batterien wenn die Lo-Bat-Anzeige **[8]** leuchtet (Spannung < 8,8 V).
- Schalten Sie den Detektor aus, indem Sie die THRESHOLD-Taste **[7]** völlig nach links drehen bis Sie einen Klick hören.
- Die Batterien sind über zwei separate Batteriefächer **[D]** auf der Rückseite des Steuergerätes **[C]** verteilt.
- Öffnen Sie das Batteriefach **[D]** und legen Sie acht neue AA-Batterien von 1,5 V ein (nicht mitgeliefert). Beachten Sie die Polarität. Verwenden Sie keine alten und neuen Batterien durcheinander.
- Schließen Sie das Batteriefach.



ACHTUNG: Durchbohren Sie keine Batterien und werfen Sie diese nicht ins Feuer. Laden Sie keine Alkalinebatterien. Halten Sie die Batterien von Kindern fern.

16. Technische Daten

Diskriminierung	Notch (Ausblenden von nicht gewünschten Gegenständen), Tonsignal
Frequenz	6,5 KHz
Empfindlichkeit	20cm für eine Münze von € 2 (Ø 25mm), im 'All metal'-Modus und unter idealen Umständen
Lo-Bat-Anzeige	rote LED wenn < 8.8V
Signalausgang	Lautsprecher oder 3.5mm-Anschluss für Kopfhörer
Display	2.5" analoges Panelmeter
Stromversorgung	8 x 1.5V AA-Batterie (LR6C, nicht mitgeliefert)
Abmessungen	
Länge	112 ~ 144 cm
Suchspule	Ø 21,5 cm
Gewicht	1.260 g

Verwenden Sie dieses Gerät nur mit originellen Zubehörteilen. Velleman NV übernimmt keine Haftung für Schaden oder Verletzungen bei (falscher) Anwendung dieses Gerätes. Für mehr Informationen zu diesem Produkt, siehe www.velleman.eu. Alle Änderungen ohne vorherige Ankündigung vorbehalten.

© URHEBERRECHT

Velleman NV besitzt das Urheberrecht für diese Bedienungsanleitung.

Alle weltweiten Rechte vorbehalten. ohne vorherige schriftliche Genehmigung des Urhebers ist es nicht gestattet, diese Bedienungsanleitung ganz oder in Teilen zu reproduzieren, zu kopieren, zu übersetzen, zu bearbeiten oder zu speichern.

INSTRUKCJA UŻYTKOWNIKA

1. Wstęp.

Przeznaczona dla mieszkańców Unii Europejskiej.

Ważne informacje dotyczące środowiska o tym produkcie



Ten symbol umieszczony na urządzeniu bądź opakowaniu wskazuje, że wyrzucenie produktu po jego cyklu zużycia może być szkodliwe dla środowiska. Nie wyrzucaj urządzenia lub baterii do zbiorczego śmietnika, tylko do specjalnie przeznaczonych w tym celu pojemników na urządzenia elektroniczne lub skontaktuj się z firmą zajmującą się recyklingiem. To urządzenie powinno zostać zwrócone do dystrybutora lub do lokalnej firmy zajmującej się recyklingiem. Postępuj zgodnie z zasadami bezpieczeństwa dotyczącymi ochrony środowiska.

W razie wątpliwości, należy skontaktować się z lokalnymi władzami utylizacji odpadów.

Dziękujemy za wybranie produktu Velleman! Prosimy o dokładne zapoznanie się z instrukcją obsługi produktu przed jego użyciem. Jeśli urządzenie zostało uszkodzone w czasie transportu, nie należy go instalować lub korzystać z niego i proszę skontaktować się ze sprzedawcą. · Szkody, wady oraz problemy spowodowane nieprzestrzeganiem niektórych wytycznych niniejszej instrukcji użytkownika nie są objęte gwarancją, a sprzedawca nie ponosi za nie odpowiedzialności.

2. Instrukcja bezpieczeństwa.



Trzymaj urządzenie z dala od dzieci i nieautoryzowanych użytkowników.



Uwaga: noszenie słuchawek w miejscach publicznych może doprowadzić do niebezpiecznych sytuacji z powodu ograniczenia słyszalności dźwięków ruchu miejskiego oraz akustycznych sygnałów ostrzegawczych, które emitowane są na niskim poziomie.



NIGDY NIE DOTYKAJ AMUNICJI, NIETYPAŁÓW LUB INNYCH POTENCJALNIE ŚMIERCIONOŚNYCH PRZEDMIOTÓW. W przypadku znalezienia takich przedmiotów należy jednoznacznie zaznaczyć miejsce, zabezpieczyć je i o ile to możliwe pozostawić kogoś do dozoru miejsca i powiadomić o znalezisku lokalne władze.

3. Ogólne wytyczne.

Proszę o zapoznanie się z warunkami gwarancji. **Velleman ® Serwis i gwarancja jakości**, które znajdziecie na ostatniej stronie niniejszej instrukcji.

- Chroń urządzenie przed wstrząsami i wszelkimi udarami. Unikaj nadmiernej siły podczas użytkowania produktu.
- Chronić urządzenie przed wysoką temperaturą, kurzem, pyłem oraz wilgocią.
- Zapoznaj się z instrukcją obsługi produktu zanim rozpoczniesz jego eksploatację.
- Ze względów bezpieczeństwa zabronione są jakichkolwiek modyfikacje urządzenia.
- Używaj urządzenie zgodnie z jego przeznaczeniem. Użytkowanie niezgodne z przeznaczeniem spowoduje utratę gwarancji.
- Szkody, wady oraz problemy spowodowane nieprzestrzeganiem niektórych wytycznych niniejszej instrukcji użytkownika nie są objęte gwarancją, a sprzedawca nie ponosi za nie odpowiedzialności.
- Gwarancja nie obejmuje uszkodzeń spowodowanych przez środowisko zasolone.
- **Zawsze** upewnij się, że korzystanie z przedmiotu jest zgodne z miejscowymi przepisami.
- Jeśli urządzenie nie jest używane przez dłuższy czas, należy wyjąć baterie. Wyciek baterii może spowodować poważne uszkodzenia.

4. Funkcje .

- DISC / TONE: rozróżnia on poszczególne rodzaje metali.
- GND BALL: regulacja urządzenia do właściwego rodzaju przeszukiwanego gruntu.
- VOL: regulacja głośności
- TRACE: przycisk
- SENS: regulacja czułości.
- TRESHOLD: regulacja progu zadziałania.
- Regulowany uchwyt.
- Wskaźnik docelowy

- Przycisk włączania / wyłączania.
- Wodoodporna cewka szukająca.
- "all metal" tryb wykrywania wszystkiego rodzaju metali.

5. Ogólne wiadomości.

Zapoznaj się z ilustracjami na stronie **2** niniejszej instrukcji.

wykrywacz metali		G	górna rurka wspornika teleskopowego wspornika ceki szukającej
A	podłokietnik	H	Przewód sygnałowy cewki szukającej
B	wspornik podłokietnika	I	Sprężynowy przycisk
C	pulpit sterowania wykrywacza	J	Nakrętka kontruująca
D	komora baterii	K	dolna rurka wspornika teleskopowego wspornika ceki szukającej
E	Wyświetlacz wykrywacza	L	Nakrętki mocujące cewkę szukacza
F	5-stykowe gniazdo połączeniowe cewki szukającej	U	cewek

panel sterujący + wyświetlacz

1.	DISC / TONE	Zwalczania dyskryminacji: w celu wyeliminowania (wycięcie) niepożądanych metali. Uwaga: To ustawienie wpływa na czułość
2	GND BAL	Balans podłoża: eliminacja sygnałów tła podłoża, które jest spowodowane jego zmineralizowaniem.
3	VOL	Przycisk głośności wbudowanego głośnika lub słuchawek : głośność normalna / niski poziom głośności normal/low.
4	TRACE	Przycisk TRACE: należy przytrzymać podczas strojenia wykrywacza.
5	PHONE	Gniazdo słuchawkowe: do podłączenia zewnętrznych słuchawek (brak w zestawie).
6.	SENS	Regulacja czułości: do kontroli głębokości wykrywania.
7	THRESHOLD	Regulacja progu zadziałania: dostosowanie poziomu odbieranego sygnału.
8	LOW BAT	Wskaźnik niskiego poziomu baterii: Świeci się, gdy napięcie spadnie poniżej 8.8V
9	DISC - TONE	Wyboru trybu dyskryminacji: w trybie DISC, rodzaj metalu jest sygnalizowany czasem trwania dźwięku; w trybie TONE sygnalizacja odbywa się za pomocą wysoki lub niskich tonów.
10	wskaźnik analogowy	Wskazówka pokazuje natężenie sygnału w trybie ALL MODE METAL lub typu metal w trybie DISC.

6. Jak to działa?

Wykrywacz metali LFO (z generatorem niskich częstotliwości) składa się z nadajnika, odbiornika i modułu z mikroprocesorowego (moduł kontroli), który analizuje i wspomaga interpretację wyszukiwanych metali.

Nadajnik

- Nadajnik jest cewką nawiniętą z drutu, która umieszczona jest wewnątrz cewki szukającej wykrywacza. Za pomocą tej cewki emitowane jest pole magnetyczne, którego polaryzacja skierowana jest w kierunku ziemi (i przeciwnym). Wygenerowana fala magnetyczna indukuje przepływ prądu wewnątrz znajdujących się w pobliżu przedmiotów metalowych. Prąd indukcyjny w przedmiotach metalowych sprawia, że emitują one pole magnetyczne, którego polaryzacja najczęściej jest w kierunku przeciwnym do pola magnetycznego nadajnika.

Odbiornik

- Cewka odbiornika jest wewnątrz cewki szukającej. Wykonana jest tak, że nie istnieje sprzężenie magnetyczne pomiędzy cewką nadawczą, a cewką odbiorczą. Indukujący się prąd w przedmiocie metalowym powoduje powstanie pola magnetycznego, które jest odbierane przez cewkę odbiornika.

Przesunięcie fazowe

- Sygnal odbierany z cewki jest zazwyczaj opóźniony w porównaniu do nadawanego sygnału z powodu indukcyjności przewodów doprowadzających. Opóźnienie to nazywane jest dalej **przesunięciem fazowym**. Duże przedmioty metalowe, wykonane z metali o dobrej przewodności prądu (złoto, srebro, miedź ...) powodują duże przesunięcia fazowe, natomiast metalowe przedmioty, które wykonane z metali charakteryzujących się gorszą przewodnością lub wykonane z cienkich elementów powodują tylko niewielkie przesunięcia fazowe. Proszę zapoznać się z poniższą tabelą, w której umieszczono parametry przewodności niektórych materiałów.

Materiał	Przewodność elektryczna (S / M)	Materiał	Przewodność elektryczna (S / M)
srebro	$63,01 \times 10^6$	nikiel	$14,3 \times 10^6$
miedź	$59,6 \times 10^6$	żelazo	$9,93 \times 10^6$
złoto	$45,2 \times 10^6$	platyna	$9,66 \times 10^6$
aluminium	$37,8 \times 10^6$	cyna	$9,17 \times 10^6$
wapń	$29,8 \times 10^6$	woda morska	4,788
cynk	$16,6 \times 10^6$	woda pitna	0,0005 ~ 0,05

- Należy mieć na uwadze, że efektywność wykrywania metali zależy od wielu czynników: wielkości i kształtu przedmiotu, głębokości położenia oraz rodzaju metalu z jakiego został wykonany.

Ferromagnetyzm

- Substancje, które bardzo słabo lub w ogóle nie można ich namagnesować, gdy znajdują się wewnątrz pola magnetycznego, w wyniku silnego sygnału magnetycznego są wykrywane przez odbiornik. W takim przypadku wykrywacz pokazuje niewielkie lub żadne przesunięcie fazowe. Gleby zawierające małe drobinę żelaza, minerałów mogą wykazywać właściwości ferromagnetyczne.

Dyskryminacja

- Każdy metal charakteryzuje się właściwym dla siebie przesunięciem fazowym. Dzięki temu jest możliwe rozróżnianie metali w zależności od jego rodzaju. Funkcjonalność rozróżniania różnych metali nazywa się **dyskryminacją**.

Kompensacja rodzaju gleby.

- Gleby, które zawierają żelazo generują sygnał odpowiedzi, które może być silniejszy od sygnałów generowanych przez metalowe przedmioty znajdujące się w niej. Podobne zjawisko występuje w miejscach, w których wody gruntowe zawierają dużo rozpuszczonych soli.
- W tych przypadkach przesunięcie fazowe spowodowane przez właściwości gleby, pozostaje na stosunkowo stałym poziomie na pewnym obszarze, gdy cewka szukająca jest utrzymywana na stałej wysokości.
- Kompensacja rodzaju gleby pozwala na precyzyjną lokalizację miejsca położenia i głębokości przedmiotów. Ma to szczególne znaczenie gdy wykrywacz pracuje w trybie 'wszystkie metale' (all metal).

7. Przygotowanie do pracy.

- Przed użyciem wykrywacza **CS102** należy połączyć jego elementy.
- Zamontuj cewkę **[M]** na dolnej rurce wspornika teleskopowego wspornika cewki szukającej **[K]**. Przelóż śrubę mocującą przez otwory cewki i wspornika dokręć nakrętkę **[L]**. Nie dokręcaj zbyt mocno śruby. Nie należy używać szczypic lub innych narzędzi.
- Wsuń górną rurką wspornika teleskopowego wspornika cewki szukającej **[G]** do wspornika podłokietnika **[B]**. Obróć górną rurką wspornika teleskopowego wspornika cewki szukającej **[G]** do momentu, gdy kołek blokady sprężynowej zablokuje rurkę.
- Na górnej rurce wspornika teleskopowego wspornika cewki szukającej znajduje się rząd otworów **[I]**, w które wchodzi kołek blokujący znajdujący się w dolnej rurce wspornika teleskopowego wspornika cewki szukającej **[K]**.
- Aby ustawić optymalną długość wykrywacza należy wyprostować sylwetkę i trzymając wykrywacz w ręku za uchwyt **[B]**, opuścić ramię do pozycji odpoczynku. Wykrywacz należy opuścić w kierunku ziemi obok swojego ciała tak, aby cewka **[M]** znajdowała się w odległości maksymalnie około 1/2 "do 2" (1,5...5 cm) nad ziemią. Aby zmienić długość dolnej rurki, naciśnij przycisk blokady **[I]** i przesunij rurkę **[K]** do odpowiedniej długości.
- Dodatkowo zabezpiecz ustawioną długość dolnej części wykrywacza dokręcając nakrętkę kontrolującą **[J]** zgodnie z ruchem wskazówek zegara (patrząc z góry).
- Poluzuj nakrętkę **[L]** i ustaw cewkę szukającą **[M]** równoległą do przeszukiwanego podłoża, a następnie dokręć nakrętkę blokującą. **[L]**.

- Owiń przewód sygnałowy cewki szukającej **[H]** wokół wspornika, pozostawiając mały luz. Podłącz 5-cio pinową wtyczkę do gniazda wejściowego **[F]**. Wtyczkę można swobodnie wsunąć do gniazda tylko w jeden sposób. Nie używać siły podczas podłączania.
- Włóż baterie (patrz § 14).

8. Działanie urządzenia.

- Zdecydowanie zaleca się testowanie wykrywacza metali w domu przed pracą w terenie. Wykonaj testy z użyciem przedmiotów z różnych metali, np. monety, złoty pierścień, łyżka srebra ...
- Testy należy przeprowadzić w pomieszczeniu przez położenie wykrywacza na drewnianym lub plastikowym stole, kierując cewkę w stronę sufitu **[M]**, następnie powoli przesuwać metalowe przedmioty obok cewki szukającej. W trakcie testów nie nosić na sobie żadnej biżuterii, gdyż może mieć ona wpływ na jakość testów. Przytrzymaj przedmioty metalowe pod różnymi kątami i przesuwać je w poprzek cewki szukającej. Obserwuj różnice w wykrywaniu przedmiotów. Należy pamiętać, że wzrasta szybko poziom głośności sygnalizacji wykrycia przedmiotu metalowego, gdy ten zbliża się bezpośrednio do centralnej części cewki szukającej. Gdy tylko metalowy przedmiot przesuwa się poza krawędź cewki szukającej poziom dźwięku sygnalizującego wykrycie przedmiotu szybko spada.

Uwaga: Nigdy nie testuj wykrywacza na podłodze wewnątrz budynku. Większość budynków ma w podłogach różnego rodzaju metalowe przedmioty konstrukcyjne, które mogą zakłócić testy.

Cewka będąca w bezruchu nie wykryje żadnego przedmiotu. W tej sytuacji musisz przesuwać przedmioty, gdyż cewka nie przemiatła terenu.

Jeżeli wykrywacz metali nie reaguje na metalowe przedmioty sprawdź stan naładowania akumulatora oraz czy cewka szukająca jest prawidłowo podłączona.

- Zaleca się przeprowadzenie testów w terenie, aby zbadać wpływ rodzaju gleby na parametry i zdolność wykrywania oraz, aby nabrać praktyki w kompensacji wpływu rodzaju gleby na parametry szukania. Umieść w ziemi metalowe przedmioty i powoli przeszukuj teren nad przedmiotem przesuując cewkę szukającą **[M]**. Bądź ostrożny, gdy do testów w terenie używasz przedmiotów wykonanych z cennych metali szlachetnych. Upewnij się, że zawsze można je odszukać.

Uwaga: Wykrywacz odpowiada silnym sygnałem, gdy napotka na duży metalowy obiekt. Jeśli przy ponownym kilkukrotnym przeszukaniu wykrywacz nie sygnalizuje obecności metalowych przedmiotów, prawdopodobnie zostały wykryte przypadkowe metalowe śmieci. Fałszywe sygnały wykrycia obecności metali mogą być spowodowane przez zaśmieconą glebę, zakłócenia elektryczne lub duże nieregularne kawałki metalowych śmieci. Fałszywe sygnały wykrycia przedmiotu są na ogół nie pewne i nie powtarzalne.

- Aby włączyć wykrywacz pokręć regulatorem kontroli dyskryminacji w kierunku ruchu wskazówek zegara. **[7]** Aby wyłączyć, należy pokręć regulatorem kontroli dyskryminacji w kierunku przeciwnym do ruchu wskazówek zegara, aż do usłyszenia kliknięcia.
- Możesz podłączyć słuchawki (brak w zestawie) z wtyczką typu Jack 3,5 mm do gniazda słuchawek **[5]**. Rozważ użycie słuchawek z regulatorem głośności dźwięku, gdyż wykrywacz metali posiada dwustopniową regulację głośności pomiędzy trybem normalnym lub niskim poziomem.
- Regulację głośności dodatkowego zestawu głośnikowego lub słuchawek pomiędzy trybem normalnym lub niskim poziomem dokonujemy za pomocą przycisku **[3]**.
- Gdy wskaźnik wyczerpania baterii **[8]** zaświeci się, należy wymienić baterie w celu zapewnienia wysokiej dokładności wykrywania.

ALL METAL-tryb wszystkie metale.

- Aby wyszukiwać przedmioty wykonane z wszelkiego rodzaju metali, przekręć pokrętło kontroli dyskryminacji **[1]** w kierunku przeciwnym do ruchu wskazówek zegara, aż do usłyszenia kliknięcia. Przy pomocy regulatora czułości **[6]** ustaw wartość na poziomie średnim. Regulator kontroli czułości **[6]** ustaw na poziom wysoki we wszystkich trybach metal będzie produkować złożony sygnał powrotu.
- Przytrzymaj cewkę **[M]** na wysokości ok. 1 m nad ziemią, naciśnij i przytrzymaj przycisk kompensacji rodzaju gleby **[4]** następnie regulator kompensacji wpływu gleby **[2]** ustaw na pozycję "P". Zwolnij przycisk **[4]**.
- Umieść cewkę szukającą **[M]** ½ " ~ 2" (1,5 ... 5 cm) nad ziemią. Jeśli wskaźnik **[10]** wychyli się w prawo (w głośniku wysoki poziom dźwięku), przekręć regulator kompensacji wpływu gleby w kierunku przeciwnym do ruchu wskazówek zegara **[2]**, aż wskazówka wskaźnika wychyłowego **[10]** przemieści się w lewą stronę (w głośniku niski poziom dźwięku), przekręć regulator kompensacji wpływu gleby w kierunku zgodnym do ruchu wskazówek zegara.

Uwaga: Każdorazowo po kontroli kompensacji gleby [2], naciśnij przycisk TRACE [4], aby zainicjować nowe ustawienie. Naciśnij przycisk TRACE [4], gdy czułość wykrywacza zmienia się od ustawionej np. podczas przemieszczania się z suchego na mokre podłoże.

- Podczas prowadzenia poszukiwań w obszarach wysoko zmineralizowana, ustawić czułość [6] oraz próg zadziałania [7], na niski poziom obracając regulatorami w kierunku przeciwnym do ruchu wskazówek zegara oraz unieść nieco wyżej cewkę szukającą [M] nad ziemią.

DISC - tryb dyskryminacji

- Po wykryciu metalowego przedmiotu, ustaw wykrywacz w tryb dyskryminacji rodzaju metalu przełącznikiem [9] do pozycji "DISC", a następnie regulatorem dyskryminacji [1] powoli obracaj zgodnie z ruchem wskazówek zegara (od pozycji "wszystkie metale all metal"). Im dalej jest przekręcone pokrętko to kolejne metale będą odrzucane. Zapoznaj się z rozdziałem § 6, **Jak to działa - przesunięcie fazowe**.
- Gdy regulator kontroli dyskryminacji [1] jest ustawiona w pozycji zero, wszystkie wykrywane metale sygnalizowane są długim dźwiękiem. Podczas ustawiania regulatora dyskryminacji w górne ustawienia metale odrzucone będą sygnalizowane krótkim sygnałem, natomiast metale dyskryminowane sygnalizowane są długim dźwiękiem.

Tone-dźwiękowy tryb dyskryminacji

- Aby uzyskać dźwiękową informację o rodzaju wykrytego metalu, ustaw wykrywacz metali w tryb dyskryminacji dźwiękowej przełącznikiem [9] do pozycji "TONE". Metale o małej rezystancji (np. srebra) będą sygnalizowane wysokim dźwiękiem, natomiast metale o wyższej rezystancji (np. miedź) będą sygnalizowane niższym tonem.
- Gdy kontrola dyskryminacji metali [1] jest ustawiona na zero, wszystkie wykryte metale sygnalizowane są wysokim dźwiękiem. Natomiast, gdy kontrola dyskryminacji jest ustawiona do wyższych pozycji to odrzucone metale są sygnalizowane niższym tonem, natomiast dyskryminowane metale wysokim tonem.

9. Zalecenia dotyczące stosowania wykrywacza metali .

- Poszukiwanie skarbów może być dochodowym zajęciem oraz wdzięcznym hobby, jeśli tylko podejście do tego sumiennie i pracowicie. Czas spędzony na przeszukiwaniu terenu może być stracony, gdy do tego podejście pochopnie i niekonsekwentnie. Aby osiągnąć najlepsze wyniki poszukiwania, ważne jest aby wybrać dokładnie teren poszukiwań.
- Wybór właściwej taktyki poszukiwań pozwoli uzyskać dobre wyniki przy przeszukiwaniu małego terenu, niż przypadkowe działanie na dużym terenie. Gdy teren jest rozległy, należy zaplanować kilka wizyt i działać metodycznie zgodnie z przyjętym planem, tak aby jednorazowo przeszukać maksymalny obszar, ale jednocześnie zapewnić sobie dokładność poszukiwań.
- Często tak się zdarza, że gdy znajdziemy jakiś skarb to najbliższym sąsiedztwie znajdziemy kolejny. Miejsca o dużej ilości markerów dają duże prawdopodobieństwo na znalezienie przedmiotów.
- Szczegółowe przeszukiwanie terenu powinno polegać na przemieszczaniu cewki szukającą terenu odchylając wykrywacz od prawej do lewej strony i odwrotnie, tak aby przeszukiwanie pasy nie były szersze od średnicy cewki szukającej. Poszukiwania powinny następować konsekwentnie od przodu krok po kroku. Tak powstające poszczególne "pasy" przeszukanego terenu powinny dokładnie pokryć cały teren.
- Teren należy znakować przy pomocy drewnianych kołków i sznurka. Należy wykorzystywać naturalne elementy terenu takie jak drzewa, kamienie lub roślinność, które często są również skuteczne.

10. Porady.

- Sukces w poszukiwaniach nie zależy w 100% od wykrywacza metali. Mają na to wpływ różne czynniki. Skuteczność wyszukiwania zależy od wielu czynników:
 - kąt, pod którym obiekt spoczywa w ziemi.
 - głębokość obiektu.
 - ilości żelaza w obiekcie.
 - rozmiar obiektu

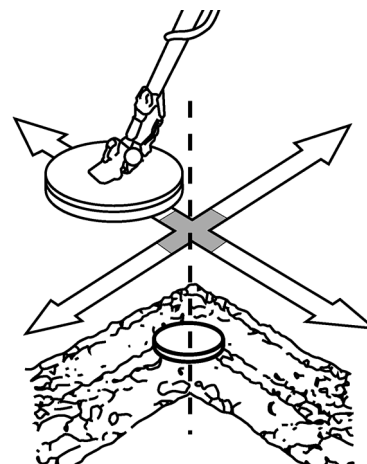
Przeszukiwanie cewką szukacza - porady.

- Nigdy nie przeszukuj terenu cewką szukającą w sposób naśladujący ruch wahadła. Unoszenie cewki podczas przeszukiwania będzie źródłem fałszywych odczytów.
- Przeszukuj powoli. Pospiech może być przyczyną ominięcia obiektów.
- Najlepiej przemieszczać cewkę z boku na bok w linii prostej utrzymując cewkę równoległą do podłoża.

- Wykrywacz sygnalizuje dźwiękiem, gdy wykryje konkretny przedmiot metalowy. Jeśli sygnał był jednorazowy i się nie powtarza, mimo przeszukiwania tego miejsca kilka razy to z dużym prawdopodobieństwem mieliśmy fałszywy odczyt np. metalowe śmieci.
- Fałszywe sygnały mogą być spowodowane przez zanieczyszczony grunt, zakłócenia elektryczne, lub duże nieregularne kawałki metalu śmieci.
- Fałszywe sygnały są na ogół słabe lub nie powtarzalne.

Lokalizacja obiektu.

- Dokładne zlokalizowanie położenia przedmiotu sprawi, że jego odkopanie będzie łatwiejsze. Dokładna lokalizowanie przedmiotu w ziemi wymaga praktyki. Proponujemy abyście w praktyce przećwiczyli lokalizację i odkopywanie drobnych przedmiotów, które zabierzecie od siebie z domu.
- Czasem trudno jest zlokalizować przedmiot ze względu na kierunek przeszukiwania cewką. W takim wypadku spróbuj zmienić kierunek przeszukiwania.
- Wykonaj następujące czynności, aby zlokalizować położenie obiektu.
 - Gdy wykrywacz znajdzie, ukryty przedmiot zawęż pole poszukiwania nad wykrytym obiektem.
 - Zapamiętaj miejsce gdzie wykrywacz zasignalizował obecność przedmiotu.
 - Zatrzymaj cewkę nad miejscem gdzie został wykryty przedmiot. Następnie przesuń cewkę prosto do przodu od siebie i do tyłu do siebie kilka razy.
 - Zapamiętaj miejsce gdzie wykrywacz zasignalizował obecność przedmiotu.
 - Powtórz kroki 1-3 z tą różnicą, aby wykonać ruchy po przekątnej obszaru wg schematu "X". Docelowymi są bezpośrednio pod "X" w miejscu najgłośniejszej odpowiedzi.



Uwagi

- Jeśli przeszukujesz bardzo zaśmiecony teren lub masz zbyt dużo fałszywych sygnałów spowolnij przemieszczanie terenu cewką oraz wykonuj krótsze ruchy.
- Ze względu na utlenienie powierzchni świeżo ukryte monety będą dawały inną odpowiedź na wykrywaczu niż podobne monety znajdujące się w ziemi od wielu lat.
- Gwoździe, nakrętki, śruby i inne żelazne przedmioty (np. stare nakrętki butelek) utleniają się i tworzą efekt "halo". Efekt halo spowodowany jest mieszanką naturalnych elementów z gleby i produktów utleniania pochodzących od różnych metali. Ponieważ mieszanka metali nie daje jednoznacznego sygnału dyskryminacji rodzaju metalu. Efekt ten sprawia, że obiekty te są trudne do lokalizacji.

Zakres detekcji

- Zakresie wykrywania przedmiotów zależy od wielu czynników: wielkość obiektu, czas przebywania obiektu w ziemi, sposobu jego zakopania oraz rodzaju gruntu, w którym przedmiot się znajduje. Najlepsze gleby, które są zwarte. W takim terenie udaje się odszukać monety na dużych głębokościach, a zwłaszcza gdy monety wchodzi w reakcję z solami mineralnymi, przez co wykryty obiekt wydaje się większy. Największe trudności w wyszukiwaniu przedmiotów sprawiają gleby luźne oraz sypkie lub gdy obiekt został zakopany w stosunkowo krótkim czasie. Generalnie dziewięćdziesiąt procent wszystkich obiektów znajdują się w 6 " (ok.15 cm) pod powierzchnią ziemi. Niekorzystne warunki glebowe może zmniejszyć skuteczność wykrywania aż o 50%.

Ustalenie wielkości docelowych i głębokości

- Użytkownik, który dobrze zaznajomił się ze swoim wykrywaczem metali mają zawsze przed sobą trudne zadanie określenia rozmiaru, kształtu i głębokości położenia przedmiotu przed jego wykopaniem. Należy to uczynić poprzez staranne analizę sygnałów dźwiękowych pochodzących z wykrywacza. Zawsze należy zwracać uwagę na szczególne cechy dźwięku. Określ jak duży jest zakres kontaktu wykrywacza z przedmiotem, co pozwoli na próbę określenia "zarysu kształtu" obiektu przed jego odkopaniem. Słuchając zwracaj uwagę na ostrości lub otępienie dźwięku oraz jego siłę. Monety generuje ostry sygnał, a sygnał pochodzący os gwizdzi jest słaby, "rozmyty".

Baterie

- Wychodząc na poszukiwania w teren zawsze należy mieć przy sobie zapasowy komplet baterii.
- Korzystanie ze słuchawek wydłuża żywotność baterii.

11. Czyszczenie i przechowywanie.

- Żywotność wykrywacza może być znacznie skrócona bez niedbalstwo lub nieostrożne użytkowanie. Jeśli używałeś wykrywacza w niekorzystnych warunkach klimatycznych (słońca, woda, piasek) przetrzyj obudowę urządzenia wilgotną szmatką, a następnie wytrzyj suchą.
- Do czyszczenia wykrywacza nie używaj rozpuszczalników oraz detergentów.
- Cewka szukająca wykrywacza jest wodoodporna przez co może być zanurzona w świeżej lub słonej wodzie. Jednakże, nie pozwól, aby woda dostała się do modułu kontroli. Każdorazowo po kontakcie cewki szukającej ze słoną wodą, cewkę należy przepłukać słodką wodą.

Szkody spowodowane przez sól morską.

- Częsta praca w środowisku nadmorskim może spowodować, że "słone powietrze" może wnikać do modułu kontroli. Elementy metalowe oraz obwody elektroniczne mogą ulec korozji. Możesz ochronić swój wykrywacz metalu, przez zabezpieczenie modułu sterowania workiem ochronnym z polietylenu. Gwarancja nie obejmuje uszkodzeń spowodowanych przez środowisko słone.

Magazynowanie

- Przechowuj wykrywacz metalu w suchym i ciepłym miejscu w warunkach normalnej wilgotności. Jeśli wykrywacz metalu ma być przechowywany przez dłuższy okres czasu, wyjmij z niego baterie, aby uniknąć ryzyko rozhermetyzowania się baterii i skutków wycieku z nich elektrolitu.

12. Rozwiązywanie problemów.

- Przed dostarczeniem urządzenia do naprawy, należy przeczytać ten rozdział, ponieważ może on zawierać rozwiązanie problemu.
- Zawsze kiedy występują problemy w pierwszej kolejności sprawdź baterie. W razie konieczności wymień baterie i zapewnij prawidłowy ich styk.

Oscylacje sygnału

- Przyczyną tego stanu rzeczy są najczęściej zewnętrzne źródła, takie jak lampy fluorescencyjne, radia, linie elektroenergetyczne oraz inne wykrywacze metalu. W takiej sytuacji niewiele można zrobić.

Przerywany dźwięk z głośników

- Taki stan rzeczy może mieć kilka źródeł:
 - Może to wynikać z niepewnego połączenia baterii. Upewnij się, że baterie są prawidłowo założone
 - Transmisji radiowej z taksówki mijania lub innego pojazdu korzystającego radiowych urządzeń nadawczych.
 - Poluzowane mocowanie głośnika. Zwróć się do sprzedawcy w celu dokonania naprawy.

Wykrywacz metalu rozstraja się.

- Wykrywacz metalu może być wrażliwy na zmiany temperatur, np. gdy urządzenie jest dostarczone z chłodniejszego otoczenia. Poczekaj chwilę, aż temperatura wykrywacza CS102 ustabilizuje się. Urządzenie może potrzebować, aż pół godziny, aby aklimatyzować się do nowej temperatury otoczenia.
- Czasami baterie sprawiają, że wykrywacz rozstraja się. Wymień je, jeżeli jest to właśnie taki przypadek.

13. Kodeks postępowania.

- Nie naruszaj terenów, stanowisk archeologicznych oraz obiektów zabytkowych. Jeśli interesujesz się starożytną historią przystąp do lokalnego towarzystwa archeologicznego.
- Po skończonych poszukiwaniach nie zostawiaj po sobie bałaganu. Do wykopywania znalezisk użyj zaostrej kielni lub noża do wycinania kół lub trójkątów w trawie, aby odkryć glebę. Po odszukaniu i wydobyciu znaleziska zasyp otwór i starannie ułóż wcześniej wyciętą trawę.
- Pomóż zachować porządek w swoim otoczeniu. Nakrętki, pokrywki do butelek i słoików, folie aluminiowe oraz puszki obowiązkowo wyrzucaj do pojemników przeznaczonych do zbierania odpadów.
- Nie wkraczaj na cudzy teren bez wcześniejszego uzyskania pozwolenia.
- Zgłoś zabytkowe znaleziska do lokalnych władz lub muzeum, skonsultuj znaleziska z ekspertami w zakresie archeologii.
- Zachowaj najwyższą ostrożność W przypadku, gdy znajdziesz amunicję, niewybuchy lub podobne niebezpieczne materiały. Nie dotykaj tych przedmiotów! Oznacz dokładnie teren gdzie znajdują się niebezpieczne przedmioty i bezzwłocznie zawiadom miejscową policję.
- Nie pozostawiaj otwartych przejść kiedy przechodzisz przez teren zamknięty, nie niszczy upraw oraz nie strasz zwierząt.
- Wymień doświadczenia z innymi użytkownikami podobnych urządzeń. Można zdobyć cenną wiedzę od doświadczonych użytkowników.

- Stosuj się do lokalnego prawa i przepisów. Wykrywacz Czujka jest gotowa do użycia.
Uwaga: Zabrania się poszukiwań na terenach będącymi zabytkami historycznymi o ile wcześniej nie uzyskałeś stosownego zezwolenia od odpowiednich władz. Na terenie Anglii stosowne zezwolenia wydaje: Monument Commission for England, natomiast w przypadku Szkocji i Walii: Secretary of State for the Environment in Scotland and Wales.

14. Baterie

- Gdy napięcie baterii spadnie poniżej 8.8V, zaświeci się wskaźnik LOW BAT **[8]**, należy natychmiast wymienić baterie na nowe w celu zapewnienia prawidłowej pracy wykrywacza metali.
- Wyłącz wykrywacz metali obracając regulator kontroli zadziałania **[7]** w kierunku przeciwnym do ruchu wskazówek zegara, aż do usłyszenia kliknięcia.
- Baterie umieszczone są w 2 oddzielnych komorach **[D]** w dolnej części modułu kontroli oraz **[C]** po obu stronach wspornika.
- Otwórz pokrywę komory baterii **[D]** i wstaw 8 nowych 1.5V baterii typu AA (brak w zestawie) zwracając uwagę na oznaczenia biegunowości. Upewnij się, że te baterie są tego samego typu, a w przypadku akumulatorów tej samej pojemności Nigdy nie mieszaj starych i nowych baterii.
- Zamknij komory baterii. Wykrywacz metali jest gotowy do użycia.



OSTRZEŻENIE:

Nie przekłuwaj ani wyrzucaj baterii do ognia, ponieważ mogą one eksplodować.

Nie próbuj ładować bez akumulatorów.

Zużytych baterii należy pozbywać się zgodnie z lokalnymi przepisami. Baterie należy przechowywać w miejscu niedostępnym dla dzieci.

15. Specyfikacja techniczna.

Metody dyskryminacji	przez eliminację, dźwiękowa
Częstotliwości generatora	6.5KHz
Czułość	20cm na monety 2 € (Ø 25mm), w "all metal / wszystkie metale" tryb, w idealnych warunkach
Wskaźnik niskiego poziomu baterii	czerwona dioda LED, kiedy napięcie spadnie poniżej 8.8V
Sygnał wyjściowy	głośnik i wyjście słuchawkowe 3,5 mm
Wyświetlacz	6.35cm (2.5 ") panelowy miernik analogowy
Zasilanie	8x 1.5V bateria typu AA (LR6C nie wł.).
Wymiary:	
długość	112 ~ 144cm (44 " ~ 57")
cewka	Ø21.5cm (8.5 ")
Waga	1260g (2.78lbs)

Używaj tylko oryginalnych akcesoriów. Velleman NV nie może być pociągnięty do odpowiedzialności w przypadku uszkodzenia lub szkody wynikającej z (błędne) korzystanie z tego urządzenia. Aby uzyskać więcej informacji dotyczących tego produktu, prosimy odwiedzić naszą stronę internetową www.velleman.eu. Informacje zawarte w niniejszej instrukcji obsługi mogą ulec zmianie bez wcześniejszego powiadomienia.

© INFORMACJA O PRAWACH WŁASNOŚCI.

Prawa autorskie do niniejszej instrukcji jest własnością firmy Velleman nv. Wszystkie prawa autorskie zastrzeżone na całym świecie. Żadna część tej instrukcji nie może być kopiowana, reprodukowana, tłumaczona lub kopiowana na wszelkich nośnikach elektronicznych lub w inny sposób, bez uprzedniej pisemnej zgody właściciela praw autorskich.



velleman[®]
components

EC DECLARATION OF CONFORMITY



It is hereby declared that following designated product(s):

PROFESSIONAL METAL DETECTOR
(Type of equipment, description)

CS102

(Model designation)

complies with the essential protection requirements of Council Directive 89/336/EEC, 93/68/EEC and its amendments on the approximation of the laws of the Member States relating to electromagnetic compatibility.

This declaration applies to all specimens manufactured identical to the model submitted for testing / evaluation.

Assessment of compliance of the product with the requirements relating to electromagnetic compatibility was based on the following standards :

EN 61000-6-1 : 2001

EN 61000-6-3 : 2001 + A11 : 2004

EMC

This declaration is the sole responsibility of the manufacturer / importer :

VELLEMAN COMPONENTS N.V.
Legen Heirweg, 33
9890 Gavere

Belgium

Authorised person signing for the company,

Mr. Luc De Meyer - Purchase Manager

Date and place of issue,

Gavere, 23 March 2009



velleman[®]
components

EC DECLARATION OF CONFORMITY

It is hereby declared that following designated product(s):



RECHARGEABLE LED TORCH
(Type of equipment, description)

ZLLS1
(Model designation)

complies with the essential protection requirements of European Community Directive 73/23/EEC, 93/68/EEC and its amendments on the approximation of the laws of the Member States relating to the Low Voltage Directive.

This declaration applies to all specimens manufactured identical to the model submitted for testing / evaluation.

Assessment of compliance of the product with the requirements relating to the Low Voltage Directive was based on the following standards :

EN 60598-2-4 : 1997
EN 60598-1 : 2004 + A1

LVD

This declaration is the sole responsibility of the manufacturer / importer :

VELLEMAN COMPONENTS N.V.
Legen Heirweg, 33
9890 Gavere

Belgium

Authorised person signing for the company,

Mr. Luc De Meyer - Purchase Manager

Date and place of issue,

Gavere, 23 March 2009

EN**Velleman® Service and Quality Warranty**

Velleman® has over 35 years of experience in the electronics world and distributes its products in more than 85 countries. All our products fulfil strict quality requirements and legal stipulations in the EU. In order to ensure the quality, our products regularly go through an extra quality check, both by an internal quality department and by specialized external organisations. If, all precautionary measures notwithstanding, problems should occur, please make appeal to our warranty (see guarantee conditions).

General Warranty Conditions Concerning Consumer Products (for EU):

- All consumer products are subject to a 24-month warranty on production flaws and defective material as from the original date of purchase.

- Velleman® can decide to replace an article with an equivalent article, or to refund the retail value totally or partially when the complaint is valid and a free repair or replacement of the article is impossible, or if the expenses are out of proportion.

You will be delivered a replacing article or a refund at the value of 100% of the purchase price in case of a flaw occurred in the first year after the date of purchase and delivery, or a replacing article at 50% of the purchase price or a refund at the value of 50% of the retail value in case of a flaw occurred in the second year after the date of purchase and delivery.

• Not covered by warranty:

- all direct or indirect damage caused after delivery to the article (e.g. by oxidation, shocks, falls, dust, dirt, humidity...), and by the article, as well as its contents (e.g. data loss), compensation for loss of profits;
- frequently replaced consumable goods, parts or accessories such as batteries, lamps, rubber parts, drive belts... (unlimited list);
- flaws resulting from fire, water damage, lightning, accident, natural disaster, etc. ...;
- flaws caused deliberately, negligently or resulting from improper handling, negligent maintenance, abusive use or use contrary to the manufacturer's instructions;
- damage caused by a commercial, professional or collective use of the article (the warranty validity will be reduced to six (6) months when the article is used professionally);
- damage resulting from an inappropriate packing and shipping of the article;
- all damage caused by modification, repair or alteration performed by a third party without written permission by Velleman®.

- Articles to be repaired must be delivered to your Velleman® dealer, solidly packed (preferably in the original packaging), and be completed with the original receipt of purchase and a clear flaw description.

- Hint: In order to save on cost and time, please reread the manual and check if the flaw is caused by obvious causes prior to presenting the article for repair. Note that returning a non-defective article can also involve handling costs.

- Repairs occurring after warranty expiration are subject to shipping costs.

- The above conditions are without prejudice to all commercial warranties.

The above enumeration is subject to modification according to the article (see article's manual).

NL**Velleman® service- en kwaliteitsgarantie**

Velleman® heeft ruim 35 jaar ervaring in de elektronica-wereld en verdeelt in meer dan 85 landen. Al onze producten beantwoorden aan strikte kwaliteitseisen en aan de wettelijke bepalingen geldig in de EU. Om de kwaliteit te waarborgen, ondergaan onze producten op regelmatige tijdstippen een extra kwaliteitscontrole, zowel door onze eigen kwaliteitsafdeling als door externe gespecialiseerde organisaties. Mocht er ondanks deze voorzorgen toch een probleem optreden, dan kunt u steeds een beroep doen op onze waarborg (zie waarborgvoorwaarden).

Algemene waarborgvoorwaarden**consumentengoederen (voor Europese Unie):**

- Op alle consumentengoederen geldt een garantieperiode van 24 maanden op productie- en materiaalfouten en dit vanaf de oorspronkelijke aankoopdatum.
- Indien de klacht gegrond is en een gratis reparatie of vervanging van een artikel onmogelijk is of indien de kosten hiervoor buiten verhouding zijn, kan Velleman® beslissen het desbetreffende artikel te vervangen door een gelijkwaardig artikel of de aankoopsom van het artikel gedeeltelijk of volledig terug te betalen. In dat geval krijgt u een vervangend product of terugbetaling ter waarde van 100% van de aankoopsom bij ontdekking van een gebrek tot één jaar na aankoop en levering, of een vervangend product tegen 50% van de kostprijs of terugbetaling van 50 % bij ontdekking na één jaar tot 2 jaar.

• Valt niet onder waarborg:

- alle rechtstreekse of onrechtstreekse schade na de levering veroorzaakt aan het toestel (bv. door oxidatie, schokken, val, stof, vuil, vocht...), en door het toestel, alsook zijn inhoud (bv. verlies van data), vergoeding voor eventuele winstderving.

- verbruiksgoederen, onderdelen of hulpstukken die regelmatig dienen te worden vervangen, zoals bv. batterijen, lampen, rubberen onderdelen, aandrijfriemen... (onbeperkte lijst).

- defecten ten gevolge van brand, waterschade, bliksem, ongevallen, natuurrampen, enz.

- defecten veroorzaakt door opzet, nalatigheid of door een onoordeelkundige behandeling, slecht onderhoud of abnormaal gebruik of gebruik van het toestel strijdig met de voorschriften van de fabrikant.

- schade ten gevolge van een commercieel, professioneel of collectief gebruik van het apparaat (bij professioneel gebruik wordt de garantieperiode herleid tot 6 maand).

- schade veroorzaakt door onvoldoende bescherming bij transport van het apparaat.

- alle schade door wijzigingen, reparaties of modificaties uitgevoerd door derden zonder toestemming van Velleman®.

- Toestellen dienen ter reparatie aangeboden te worden bij uw Velleman®-verdelers. Het toestel dient vergezeld te zijn van het oorspronkelijke aankoopbewijs. Zorg voor een degelijke verpakking (bij voorkeur de originele verpakking) en voeg een duidelijke foutomschrijving bij.

- Tip: alvorens het toestel voor reparatie aan te bieden, kijk nog eens na of er geen voor de hand liggende reden is waarom het toestel niet naar behoren werkt (zie handleiding). Op deze wijze kunt u kosten en tijd besparen. Denk eraan dat er ook voor niet-defecte toestellen een kost voor controle aangerekend kan worden.

- Bij reparaties buiten de waarborgperiode zullen transportkosten aangerekend worden.

- Elke commerciële garantie laat deze rechten onverminderd.

Bovenstaande opsomming kan eventueel aangepast worden naargelang de aard van het product (zie handleiding van het betreffende product).

FR**Garantie de service et de qualité Velleman®**

Velleman® jouit d'une expérience de plus de 35 ans dans le monde de l'électronique avec une distribution dans plus de 85 pays.

Tous nos produits répondent à des exigences de qualité rigoureuses et à des dispositions légales en vigueur dans l'UE. Afin de garantir la qualité, nous soumettons régulièrement nos produits à des contrôles de qualité supplémentaires, tant par notre propre service qualité que par un service qualité externe. Dans le cas improbable d'un défaut malgré toutes les précautions, il est possible d'invoquer notre garantie (voir les conditions de garantie).

Conditions générales concernant la garantie sur les produits grand public (pour l'UE) :

- tout produit grand public est garanti 24 mois contre tout vice de production ou de matériaux à dater du jour d'acquisition effective ;

- si la plainte est justifiée et que la réparation ou le remplacement d'un article est jugé impossible, ou lorsque les

coûts s'avèrent disproportionnés, Velleman® s'autorise à remplacer ledit article par un article équivalent ou à rembourser la totalité ou une partie du prix d'achat. Le cas échéant, il vous sera consenti un article de remplacement ou le remboursement complet du prix d'achat lors d'un défaut dans un délai de 1 an après l'achat et la livraison, ou un article de remplacement moyennant 50% du prix d'achat ou le remboursement de 50% du prix d'achat lors d'un défaut après 1 à 2 ans.

• sont par conséquent exclus :

- tout dommage direct ou indirect survenu à l'article après livraison (p.ex. dommage lié à l'oxydation, choc, chute, poussière, sable, impureté...) et provoqué par l'appareil, ainsi que son contenu (p.ex. perte de données) et une indemnisation éventuelle pour perte de revenus ;
- tout bien de consommation ou accessoire, ou pièce qui nécessite un remplacement régulier comme p.ex. piles, ampoules, pièces en caoutchouc, courroies... (liste illimitée) ;
- tout dommage qui résulte d'un incendie, de la foudre, d'un accident, d'une catastrophe naturelle, etc. ;
- tout dommage provoqué par une négligence, volontaire ou non, une utilisation ou un entretien incorrects, ou une utilisation de l'appareil contraire aux prescriptions du fabricant ;
- tout dommage à cause d'une utilisation commerciale, professionnelle ou collective de l'appareil (la période de garantie sera réduite à 6 mois lors d'une utilisation professionnelle) ;
- tout dommage à l'appareil qui résulte d'une utilisation incorrecte ou différente que celle pour laquelle il a été initialement prévu comme décrit dans la notice ;
- tout dommage engendré par un retour de l'appareil emballé dans un conditionnement non ou insuffisamment protégé.
- toute réparation ou modification effectuée par une tierce personne sans l'autorisation explicite de SA Velleman® ; - frais de transport de et vers Velleman® si l'appareil n'est plus couvert sous la garantie.
- toute réparation sera fournie par l'endroit de l'achat. L'appareil doit nécessairement être accompagné du bon d'achat d'origine et être dûment conditionné (de préférence dans l'emballage d'origine avec mention du défaut) ;
- tuyau : il est conseillé de consulter la notice et de contrôler câbles, piles, etc. avant de retourner l'appareil. Un appareil retourné jugé défectueux qui s'avère en bon état de marche pourra faire l'objet d'une note de frais à charge du consommateur ;
- une réparation effectuée en-dehors de la période de garantie fera l'objet de frais de transport ;
- toute garantie commerciale ne porte pas atteinte aux conditions susmentionnées.

La liste susmentionnée peut être sujette à une complémentation selon le type de l'article et être mentionnée dans la notice d'emploi.

DE

Velleman® Service- und Qualitätsgarantie

Velleman® hat gut 35 Jahre Erfahrung in der Elektronikwelt und vertreibt seine Produkte in über 85 Ländern. Alle Produkte entsprechen den strengen Qualitätsforderungen und gesetzlichen Anforderungen in der EU. Um die Qualität zu gewährleisten werden unsere Produkte regelmäßig einer zusätzlichen Qualitätskontrolle unterworfen, sowohl von unserer eigenen Qualitätsabteilung als auch von externen spezialisierten Organisationen. Sollten, trotz aller Vorsichtsmaßnahmen, Probleme auftreten, nehmen Sie bitte die Garantie in Anspruch (siehe Garantiebedingungen).

Allgemeine Garantiebedingungen in Bezug auf Konsumgüter (für die Europäische Union):

- Alle Produkte haben für Material- oder Herstellungsfehler eine Garantieperiode von 24 Monaten ab Verkaufsdatum.
- Wenn die Klage berechtigt ist und falls eine kostenlose Reparatur oder ein Austausch des Gerätes unmöglich ist, oder wenn die Kosten dafür unverhältnismäßig sind, kann Velleman® sich darüber entscheiden, dieses Produkt durch ein gleiches Produkt zu ersetzen oder die Kaufsumme ganz oder teilweise zurückzahlen. In diesem Fall erhalten Sie ein Ersatzprodukt oder eine Rückzahlung im Werte von 100%

der Kaufsumme im Falle eines Defektes bis zu 1 Jahr nach Kauf oder Lieferung, oder Sie bekommen ein Ersatzprodukt im Werte von 50% der Kaufsumme oder eine Rückzahlung im Werte von 50 % im Falle eines Defektes im zweiten Jahr.

• Von der Garantie ausgeschlossen sind:

- alle direkten oder indirekten Schäden, die nach Lieferung am Gerät und durch das Gerät verursacht werden (z.B. Oxidation, Stöße, Fall, Staub, Schmutz, Feuchtigkeit, ...), sowie auch der Inhalt (z.B. Datenverlust), Entschädigung für eventuellen Gewinnausfall.
- Verbrauchsgüter, Teile oder Zubehörteile, die regelmäßig ausgetauscht werden, wie z.B. Batterien, Lampen, Gummiteile, Treibriemen, usw. (unbeschränkte Liste).
- Schäden verursacht durch Brandschaden, Wasserschaden, Blitz, Unfälle, Naturkatastrophen, usw.
- Schäden verursacht durch absichtliche, nachlässige oder unsachgemäße Anwendung, schlechte Wartung, zweckfremdete Anwendung oder Nichtbeachtung von Benutzerhinweisen in der Bedienungsanleitung.
- Schäden infolge einer kommerziellen, professionellen oder kollektiven Anwendung des Gerätes (bei gewerblicher Anwendung wird die Garantieperiode auf 6 Monate zurückgeführt).
- Schäden verursacht durch eine unsachgemäße Verpackung und unsachgemäßen Transport des Gerätes.
- alle Schäden verursacht durch unautorisierte Änderungen, Reparaturen oder Modifikationen, die von einem Dritten ohne Erlaubnis von Velleman® vorgenommen werden.
- Im Fall einer Reparatur, wenden Sie sich an Ihren Velleman®-Verteiler. Legen Sie das Produkt ordnungsgemäß verpackt (vorzugsweise die Originalverpackung) und mit dem Original-Kaufbeleg vor. Fügen Sie eine deutliche Fehlerumschreibung hinzu.
- Hinweis: Um Kosten und Zeit zu sparen, lesen Sie die Bedienungsanleitung nochmals und überprüfen Sie, ob es keinen auf der Hand liegenden Grund gibt, ehe Sie das Gerät zur Reparatur zurückschicken. Stellt sich bei der Überprüfung des Geräts heraus, dass kein Geräteschaden vorliegt, könnte dem Kunden eine Untersuchungspauschale berechnet.
- Für Reparaturen nach Ablauf der Garantiefrist werden Transportkosten berechnet.
- Jede kommerzielle Garantie lässt diese Rechte unberührt.

Die oben stehende Aufzählung kann eventuell angepasst werden gemäß der Art des Produktes (siehe Bedienungsanleitung des Gerätes).

ES

Garantía de servicio y calidad Velleman®

Velleman® disfruta de una experiencia de más de 35 años en el mundo de la electrónica con una distribución en más de 85 países.

Todos nuestros productos responden a normas de calidad rigurosas y disposiciones legales vigentes en la UE. Para garantizar la calidad, sometimos nuestros productos regularmente a controles de calidad adicionales, tanto por nuestro propio servicio de calidad como por un servicio de calidad externo. En el caso improbable de que surgieran problemas a pesar de todas las precauciones, es posible apelar a nuestra garantía (véase las condiciones de garantía).

Condiciones generales referentes a la garantía sobre productos de venta al público (para la Unión Europea):

- Todos los productos de venta al público tienen un período de garantía de 24 meses contra errores de producción o errores en materiales desde la adquisición original;
- Si la queja está fundada y si la reparación o la sustitución de un artículo es imposible, o si los gastos son desproporcionados, Velleman® autoriza reemplazar el artículo por un artículo equivalente o reembolsar la totalidad o una parte del precio de compra. En este caso, recibirá un artículo de recambio o el reembolso completo del precio de compra al descubrir un defecto hasta un año después de la compra y la entrega, o un artículo de recambio al 50% del precio de compra o la sustitución de un 50% del precio de compra al descubrir un defecto después de 1 a 2 años.

• Por consiguiente, están excluidos entre otras cosas:

- todos los daños causados directamente o indirectamente al aparato y su contenido después de la entrega (p.ej. por oxidación, choques, caída,...) y causados por el aparato, al igual que el contenido (p.ej. pérdida de datos) y una indemnización eventual para falta de ganancias;
 - partes o accesorios que deban ser reemplazados regularmente, como por ejemplo baterías, lámparas, partes de goma, ... (lista ilimitada)
 - defectos causados por un incendio, daños causados por el agua, rayos, accidentes, catástrofes naturales, etc. ;
 - defectos causados a conciencia , descuido o por malos tratos, un mantenimiento inapropiado o un uso anormal del aparato contrario a las instrucciones del fabricante;
 - daños causados por un uso comercial, profesional o colectivo del aparato (el período de garantía se reducirá a 6 meses con uso profesional) ;
 - daños causados por un uso incorrecto o un uso ajeno al que está previsto el producto inicialmente como está descrito en el manual del usuario ;
 - daños causados por una protección insuficiente al transportar el aparato.
 - daños causados por reparaciones o modificaciones efectuadas por una tercera persona sin la autorización explícita de SA Velleman® ;
 - se calcula gastos de transporte de y a Velleman® si el aparato ya no está cubierto por la garantía.
- Cualquier reparación se efectuará por el lugar de compra. Devuelva el aparato con la factura de compra original y transpórtelo en un embalaje sólido (preferentemente el embalaje original). Incluya también una buena descripción del defecto ;
 - Consejo: Lea el manual del usuario y controle los cables, las pilas, etc. antes de devolver el aparato. Si no se encuentra un defecto en el artículo los gastos podrían correr a cargo del cliente;
 - Los gastos de transporte correrán a carga del cliente para una reparación efectuada fuera del período de garantía.
 - Cualquier gesto comercial no disminuye estos derechos.

La lista previamente mencionada puede ser adaptada según el tipo de artículo (véase el manual del usuario del artículo en cuestión)



Velleman® usługi i gwarancja jakości

Velleman® ma ponad 35-letnie doświadczenie w świecie elektroniki. Dystrybuujemy swoje produkty do ponad 85 krajów.

Wszystkie nasze produkty spełniają surowe wymagania jakościowe oraz wypełniają normy i dyrektywy obowiązujące w krajach UE. W celu zapewnienia najwyższej jakości naszych produktów, przechodzą one regularne oraz dodatkowo wyrywkowe badania kontroli jakości, zarówno naszego wewnętrznego działu jakości jak również wyspecjalizowanych firm zewnętrznych. Pomimo dołożenia wszelkich starań czasem mogą pojawić się problemy techniczne, prosimy odwołać się do gwarancji (patrz warunki gwarancji).

Ogólne Warunki dotyczące gwarancji:

Wszystkie produkty konsumenckie podlegają 24-miesięcznej gwarancji na wady produkcyjne i materiałowe od daty zakupu.

W przypadku, gdy usterka jest niemożliwa do usunięcia lub koszt usunięcia jest nadmiernie wysoki Velleman® może zdecydować o wymianie artykułu na nowy, wolny od wad lub zwrócić zapłaconą kwotę. Zwrot gotówki może jednak nastąpić z uwzględnieniem poniższych warunków: zwrot 100% ceny zakupu w przypadku, gdy wada wystąpiła w ciągu pierwszego roku od daty zakupu i dostawy wymiana wadliwego artykułu na nowy, wolny od wad z odpłatnością 50% ceny detalicznej lub zwrot 50% kwoty ceny nabycia w przypadku gdy wada wystąpiła w drugim roku od daty zakupu i dostawy.

Produkt nie podlega naprawie gwarancyjnej:

- gdy wszystkie bezpośrednie lub pośrednie szkody spowodowane są działaniem czynników środowiskowych lub losowych (np. przez utlenianie, wstrząsy, upadki, kurz, brud, ...), wilgotności;
 - gwarant nie ponosi odpowiedzialności za szkody wynikających z utraty danych;
 - utrata zysków z tytułu niesprawności produktu; z gwarancji wyłączone są materiały eksploatacyjne: baterie, żarówki, paski napędowe, gumowe elementy napędowe... (nieograniczona lista);
 - usterka wynika z działania pożaru, zalania wszelkimi cieczami, uderzenia pioruna, upadku lub klęski żywiołowej, itp.;
 - usterka wynika z zaniedbań eksploatacyjnych tj. umyślne bądź nieumyślne zaniechanie czyszczenia, konserwacji, wymiany materiałów eksploatacyjnych, niedbalstwa lub z niewłaściwego obchodzenia się lub niezgodnego użytkowania z instrukcją producenta;
 - szkody wynikające z nadmiernego użytkowania gdy nie jest do tego celu przeznaczony tj. działalność komercyjna, zawodowa lub wspólne użytkowanie przez wiele osób - okres obowiązywania gwarancji zostanie obniżony do 6 (sześć) miesięcy;
 - Szkody wynikające ze źle zabezpieczonej wysyłki produktu;
 - Wszelkie szkody spowodowane przez nieautoryzowaną naprawę, modyfikację, przeróbkę produktu przez osoby trzecie jak również bez pisemnej zgody firmy Velleman®. Uszkodzony produkt musi zostać dostarczony do sprzedawcy Velleman®, solidnie zapakowany (najlepiej w oryginalnym opakowaniu), wraz z wyposażeniem z jakim produkt został sprzedany. W przypadku wysyłki towaru w opakowaniu innym niż oryginalnym ryzyko usterki produktu oraz tego skutki przechodzą na właściciela produktu. Wraz z niesprawnym produktem należy dołączyć jasny i szczegółowy opis jego usterki, wady;
- Wskazówka: Aby zaoszczędzić na kosztach i czasie, proszę szczegółowo zapoznać się z instrukcją obsługi; czy przyczyną wady są okoliczności techniczne czy też wynikają wyłącznie z nieznajomości obsługi produktu. W przypadku wysyłki sprawnego produktu do serwisu nabywca może zostać obciążony kosztami obsługi oraz transportu.

W przypadku napraw pogwarancyjnych lub odpłatnych klient ponosi dodatkowo koszt wysyłki produktu do i z serwisu. Wymienione wyżej warunki są bez uszczerbku dla wszystkich komercyjnych gwarancji.

Powyższe postanowienia mogą podlegać modyfikacji w zależności od wyrobu (patrz art obsługi).